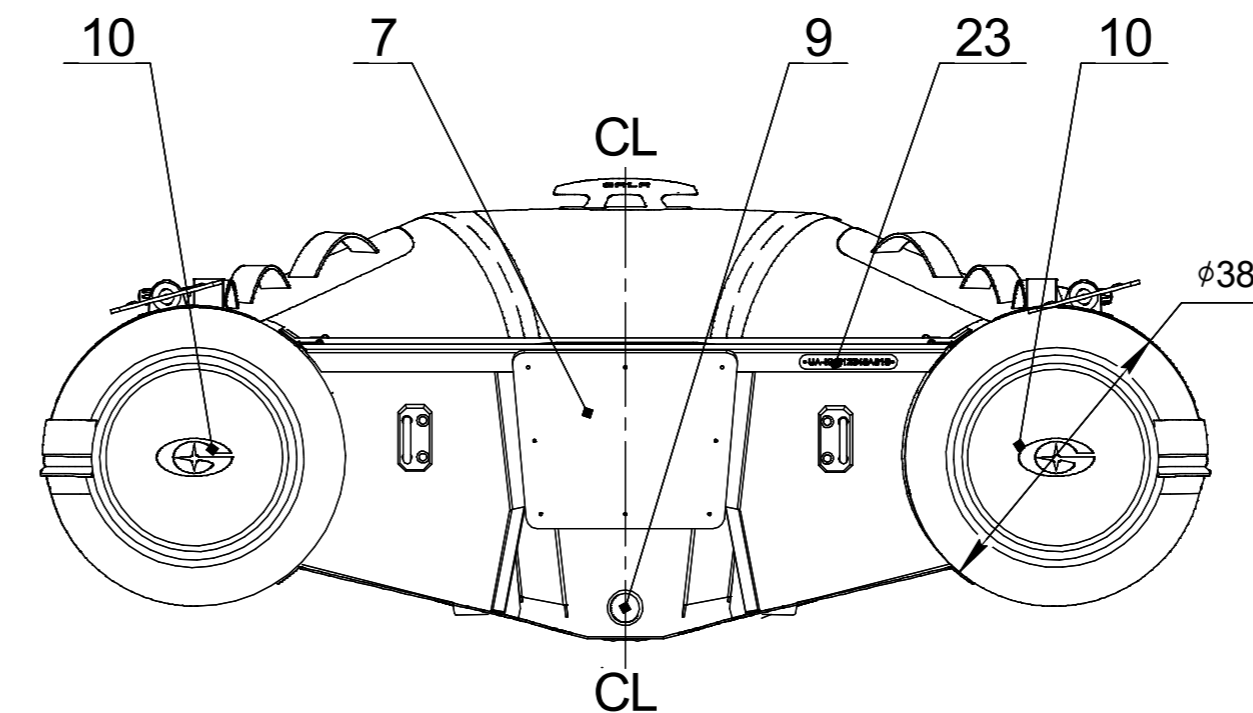
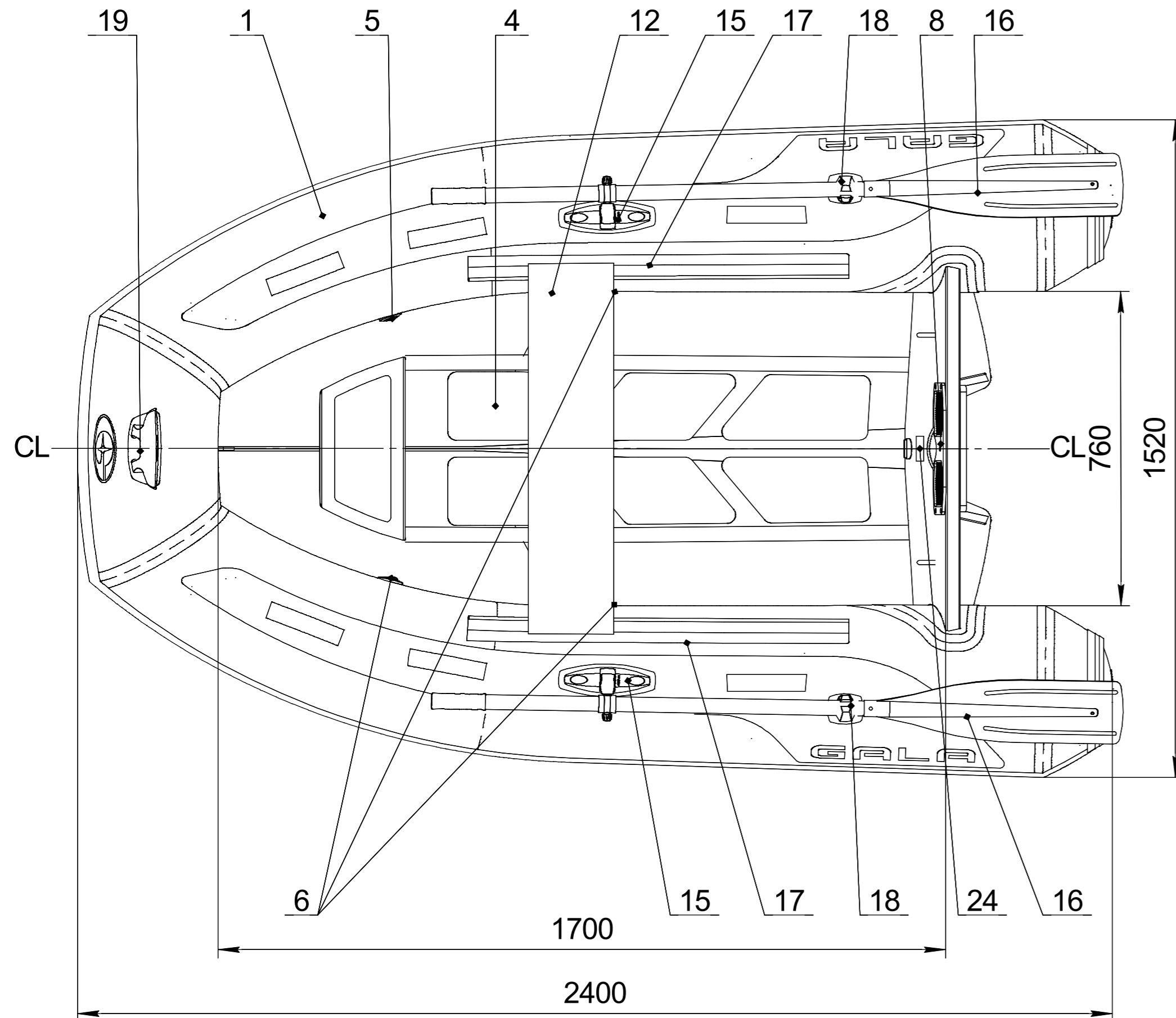
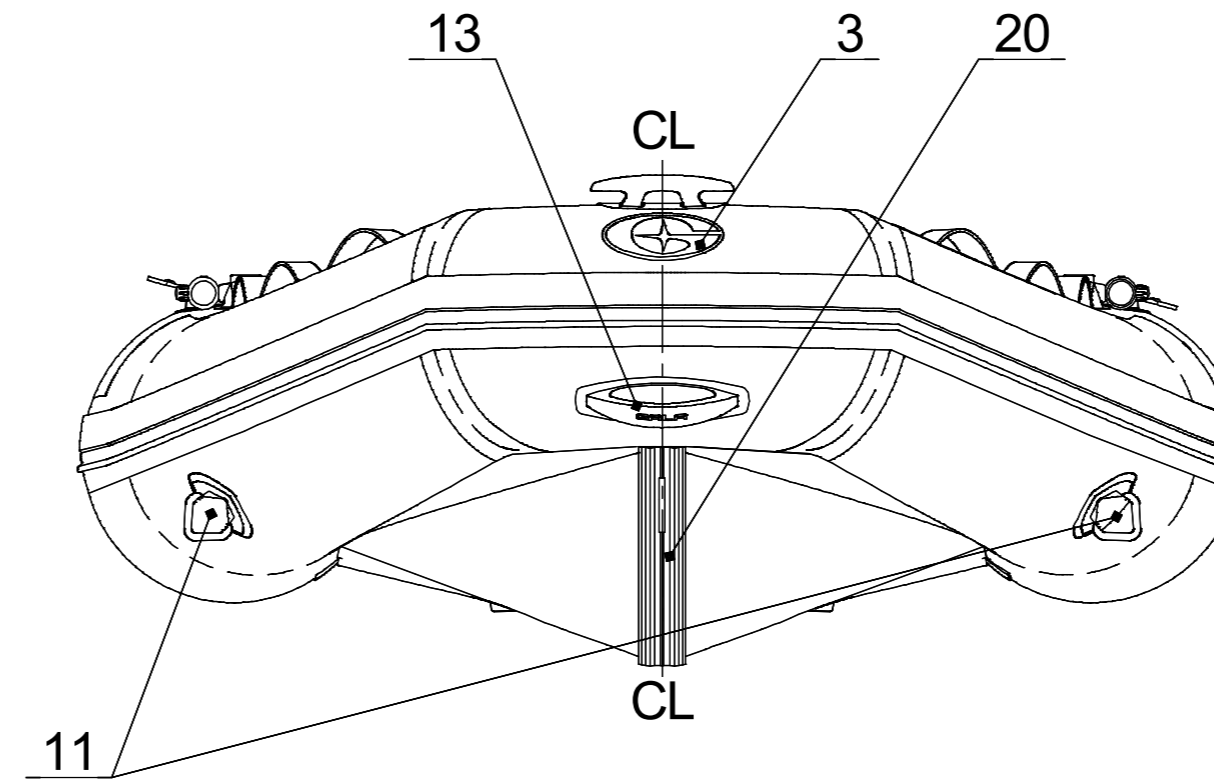
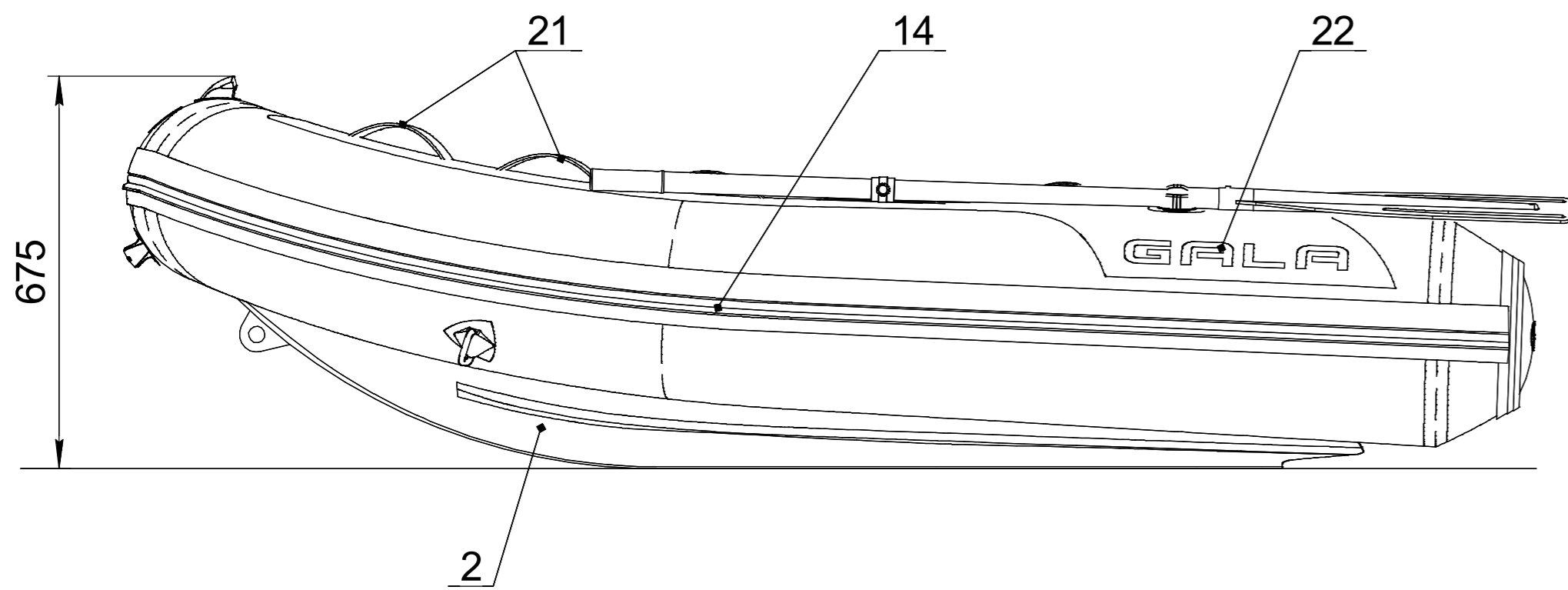


Inflatable boat GALA Atlantis A240

Technical drawing



Builder's plate

GALA INFLATABLE BOATS					
Model	A240	Person	2	+ Person	
Weight	300 kg	Weight	660 lbs		
Power	4.4 kW	Power	6 HP	Type	II
Weight	35 kg	Weight	77 lbs	Cat.	D
Pressure	0.2 bar	Pressure	2.89 psi	International Standard ISO/FDIS-6185	
MADE IN UKRAINE		"CALIBR PROFIL" LLC 4, Matkakhova Str., Dnipro, UKRAINE			

Boat specification

Item	Item No	Description	Q-ty	Note
1		Inflatable tube for A240	1	
2		Aluminum hull for A240	1	
3		Logo GALA front	1	
4		Antiskid decking	1	
5		Over-pressure valve	1	
6		Inflation-deflation valve	3	
7		Motor plate external	1	
8		Motor plate internal	1	
9		Expanding drain plug	1	
10		Tube end, PVC	2	
11		Towing eye, PVC	2	
12		Aluminum seat	1	
13		GALA handle, PVC	1	
14		Rubbing strake	1	
15		Oarlock	2	
16		Oar 160cm with rivert	2	
17		Seat holder	2	
18		Oar holder	2	
19		GALA cleat, PVC	1	
20		Keel protector	1	
21		Safety grab handle	6	
22		GALA logo	2	
23		CIN plate	1	
24		Builder's plate	1	

NAME	DATE	ITEM No:		
DRAWN		TITLE:		
CHECKED		GALA Atlantis A240		
ENG APPR.				
MFG APPR.				
O.A.				
PROPRIETARY AND CONFIDENTIAL THE INFORMATION CONTAINED IN THIS DRAWING IS THE SOLE PROPERTY OF CALIBR PROFIL LLC		SIZE	DWG. NO.	REV
SCALE: 1:10		WEIGHT:	SHEET 1 OF 1	