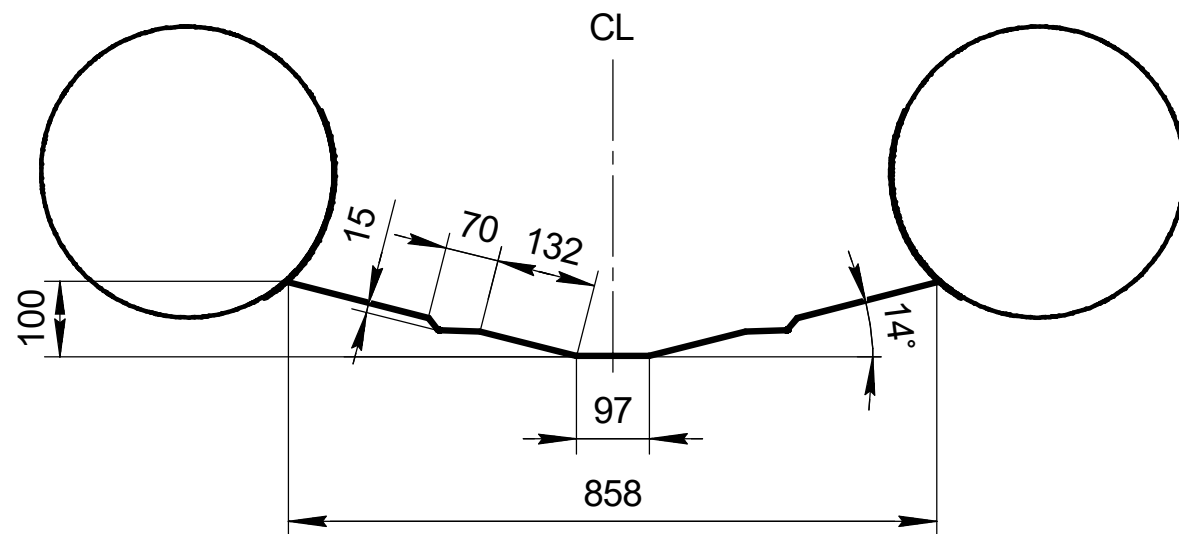
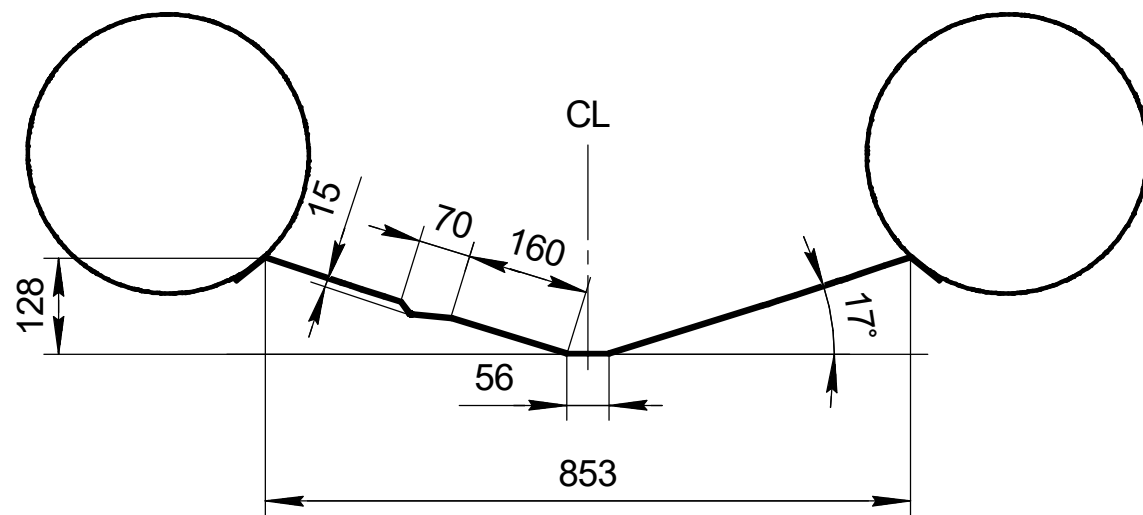


* Dimensions are from the rear edge of the bottom.

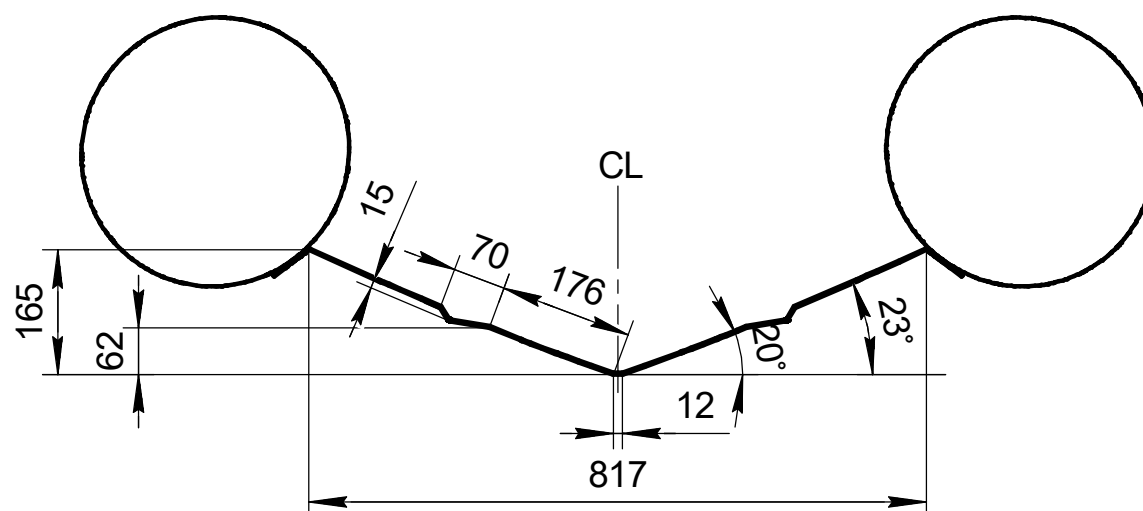
Section A



Section B



Section C



	NAME	DATE	ITEM No:
DRAWN			
CHECKED			TITLE:
ENG APPR.			GALA Atlantis A240 Hull sections for chocks design
MFG APPR.			
Q.A.			
PROPRIETARY AND CONFIDENTIAL THE INFORMATION CONTAINED IN THIS DRAWING IS THE SOLE PROPERTY OF CALIBR PROFI LLC			
SIZE		DWG. NO.	REV
SCALE: 1:10		WEIGHT:	SHEET 1 OF 1