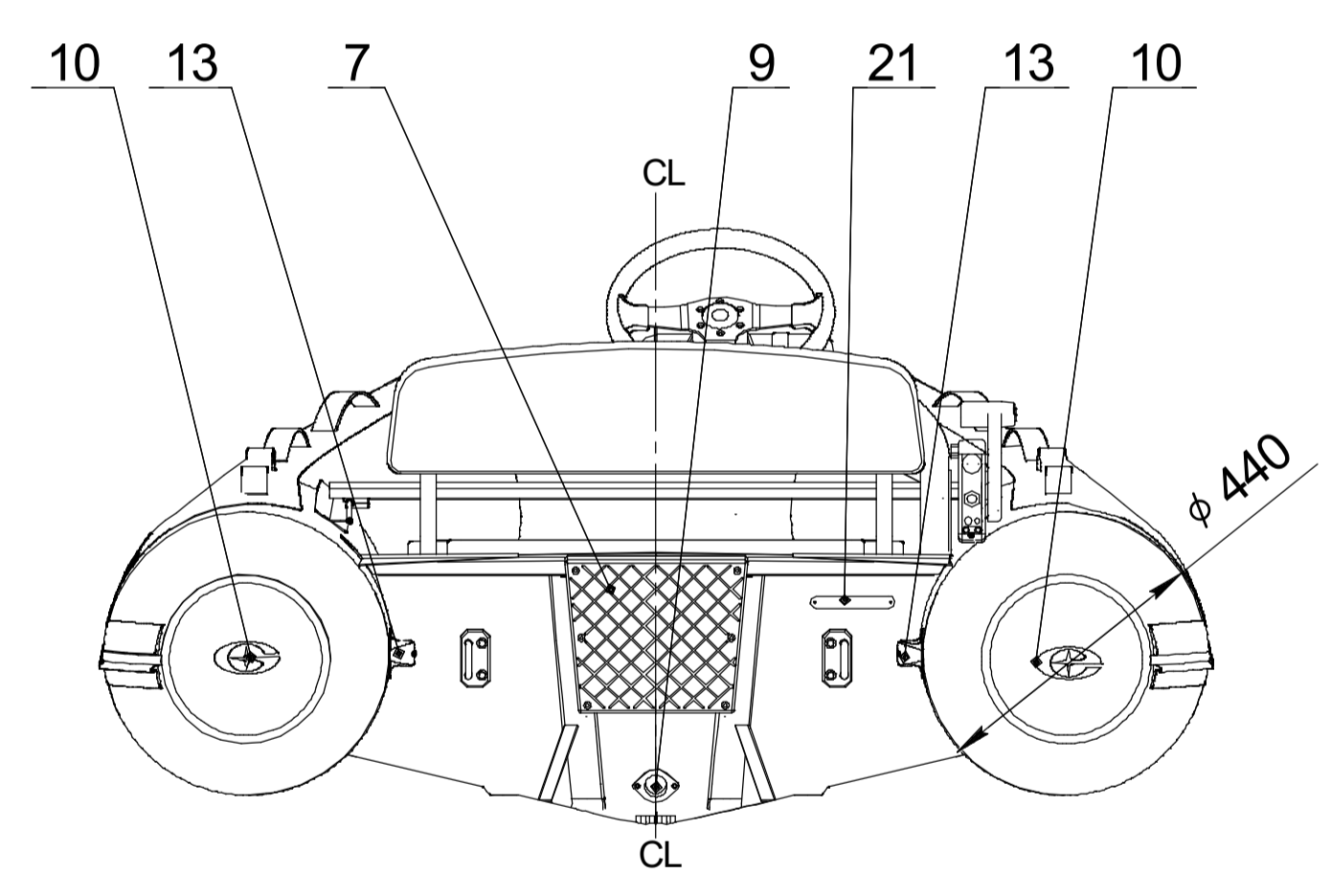
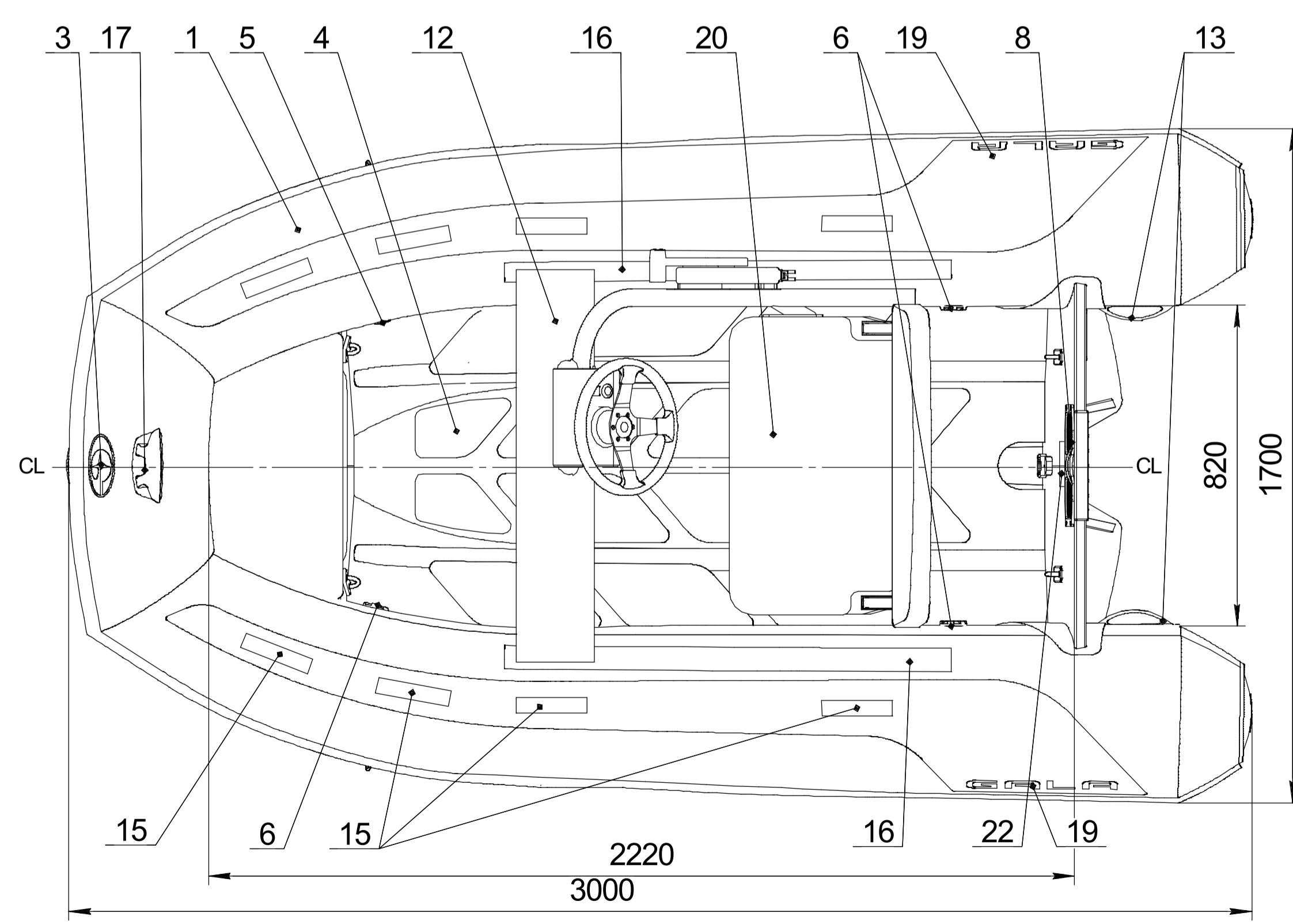
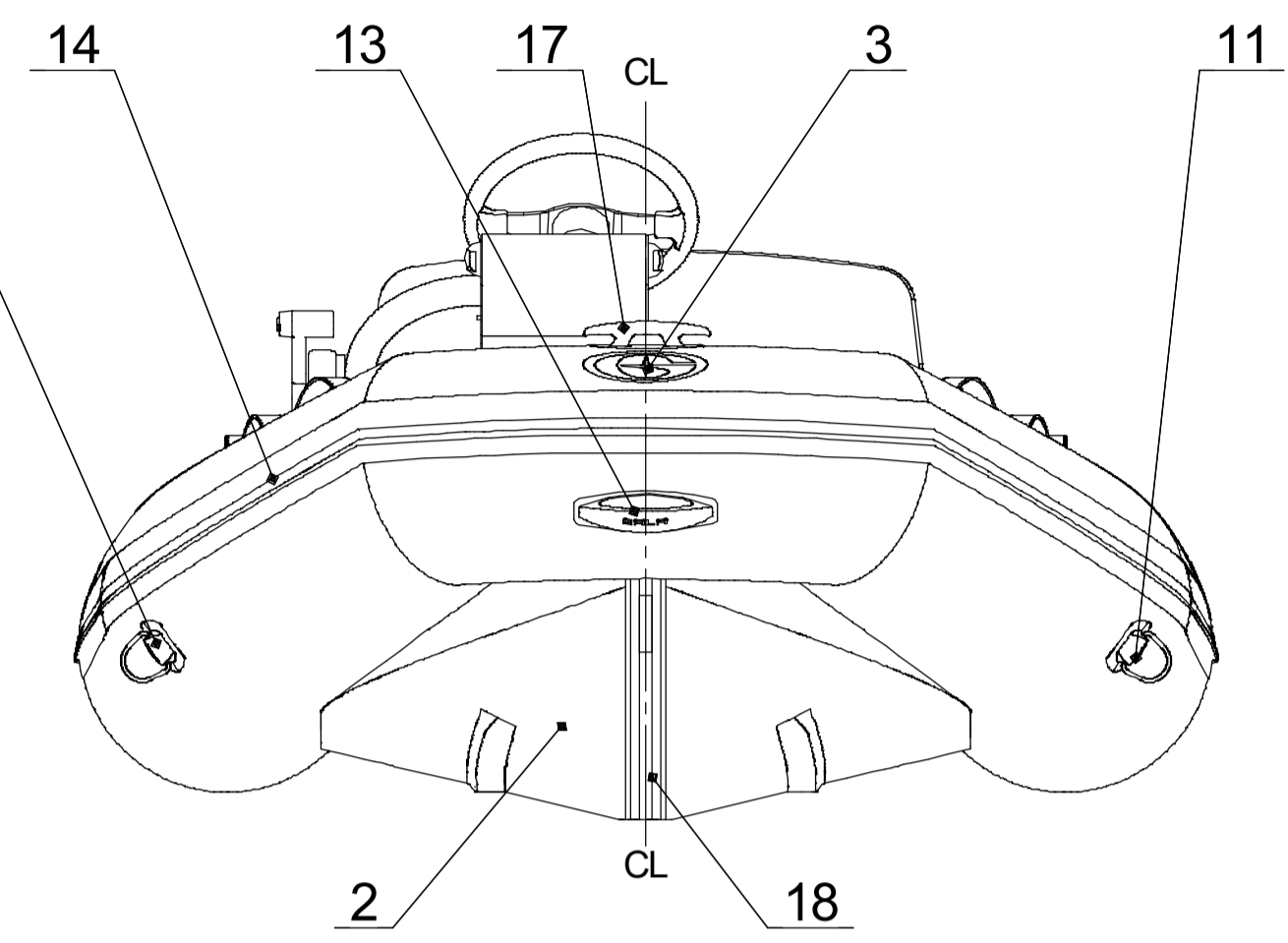
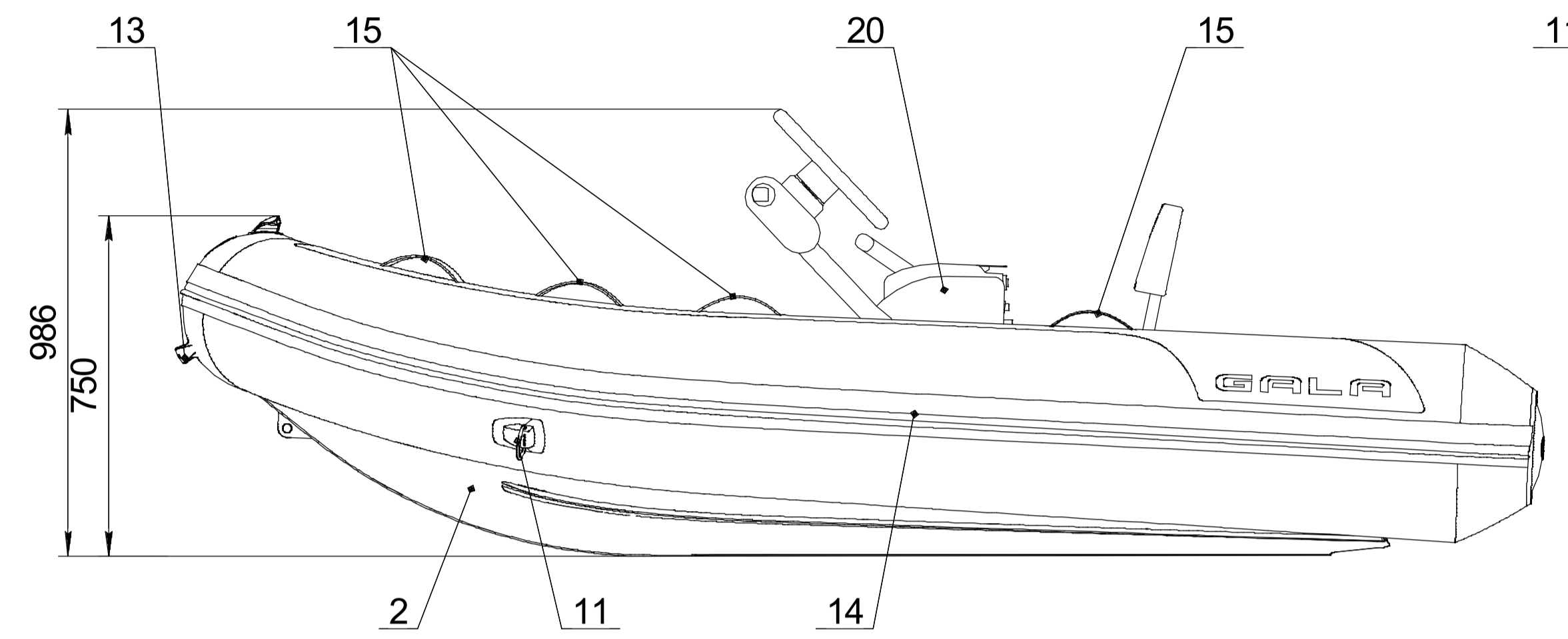


Inflatable boat GALA Atlantis A300Q

Technical drawing



Builder's plate

GALA
INFLATABLE BOATS

Model **A300Q** 5 + 1

500 kg 1100 lbs

14.7 kW 20 HP Type **V**

60 kg 132 lbs Cat. **C**

0.2 bar 2.89 psi

International Standard ISO/FDIS-6185

MADE IN UKRAINE
CELEX GLOBAL

"CALIBR PROF" LLC
4, Matlahova Str., Dnipro, UKRAINE

Boat specification

Item	Item No	Description	Q-ty	Note
1		Inflatable tube for A300Q	1	
2		Aluminum hull for A300Q	1	
3		GALA logo front	1	
4		Antiskid decking	1	
5		Over-pressure valve	1	
6		Inflation-deflation valve	3	
7		Motor plate external	1	
8		Motor plate internal	1	
9		Expanding drain plug	1	
10		Tube end, PVC	2	
11		Towing eye, PVC	2	
12		Aluminum seat	1	
13		GALA handle, PVC	3	
14		Rubbing strake	1	
15		Safety grab handle	8	
16		Seat holder	2	
17		Bow Cleat Large	1	
18		Keel protector	1	
19		GALA logo	2	
20		AQUAHELM Steering console S-08	1	
21		CIN plate	1	
22		Builder's plate	1	
23				
24				

	NAME	DATE	ITEM No:
DRAWN			TITLE:
CHECKED			GALA Atlantis A300Q
ENG APPR.			
MFG APPR.			
Q.A.			SIZE
PROPRIETARY AND CONFIDENTIAL THE INFORMATION CONTAINED IN THIS DRAWING IS THE SOLE PROPERTY OF CALIBR PROF LLC			DWG. NO.
			REV
SCALE: 1:10			WEIGHT:
			SHEET 1 OF 1