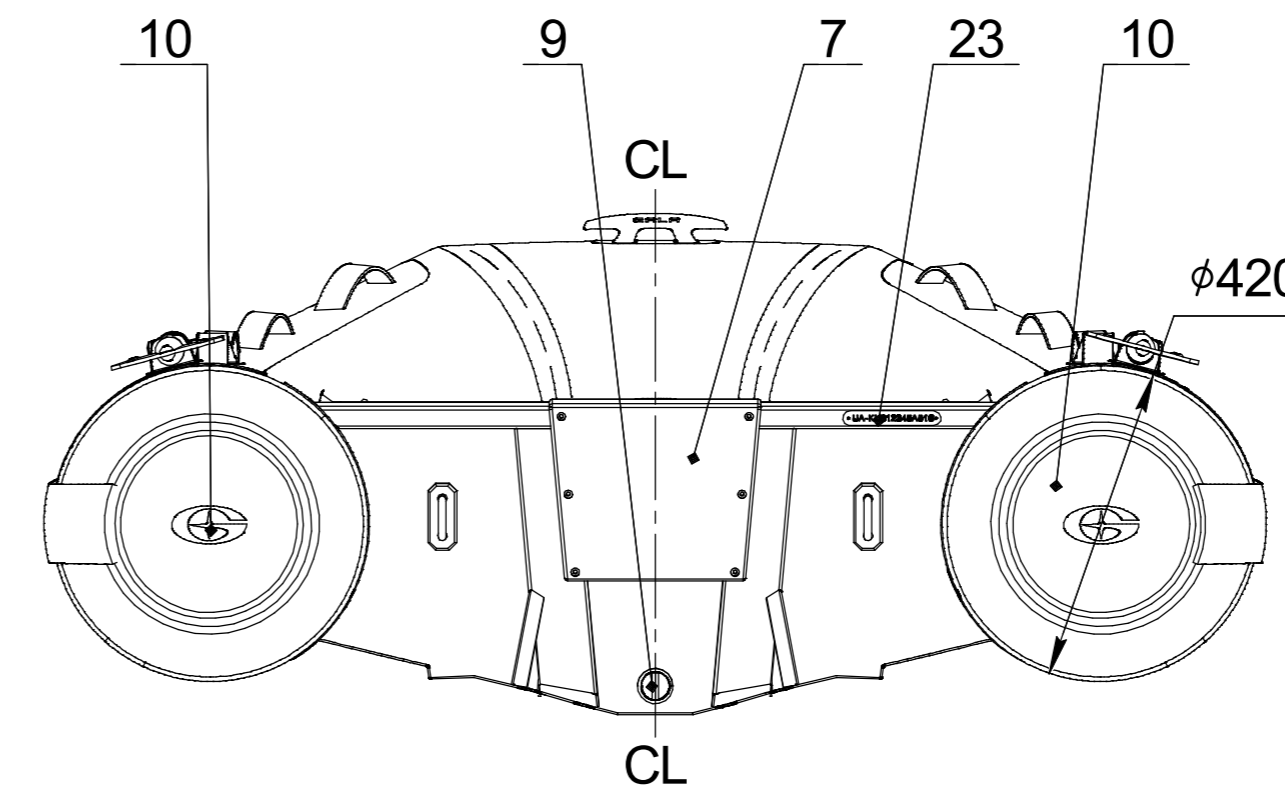
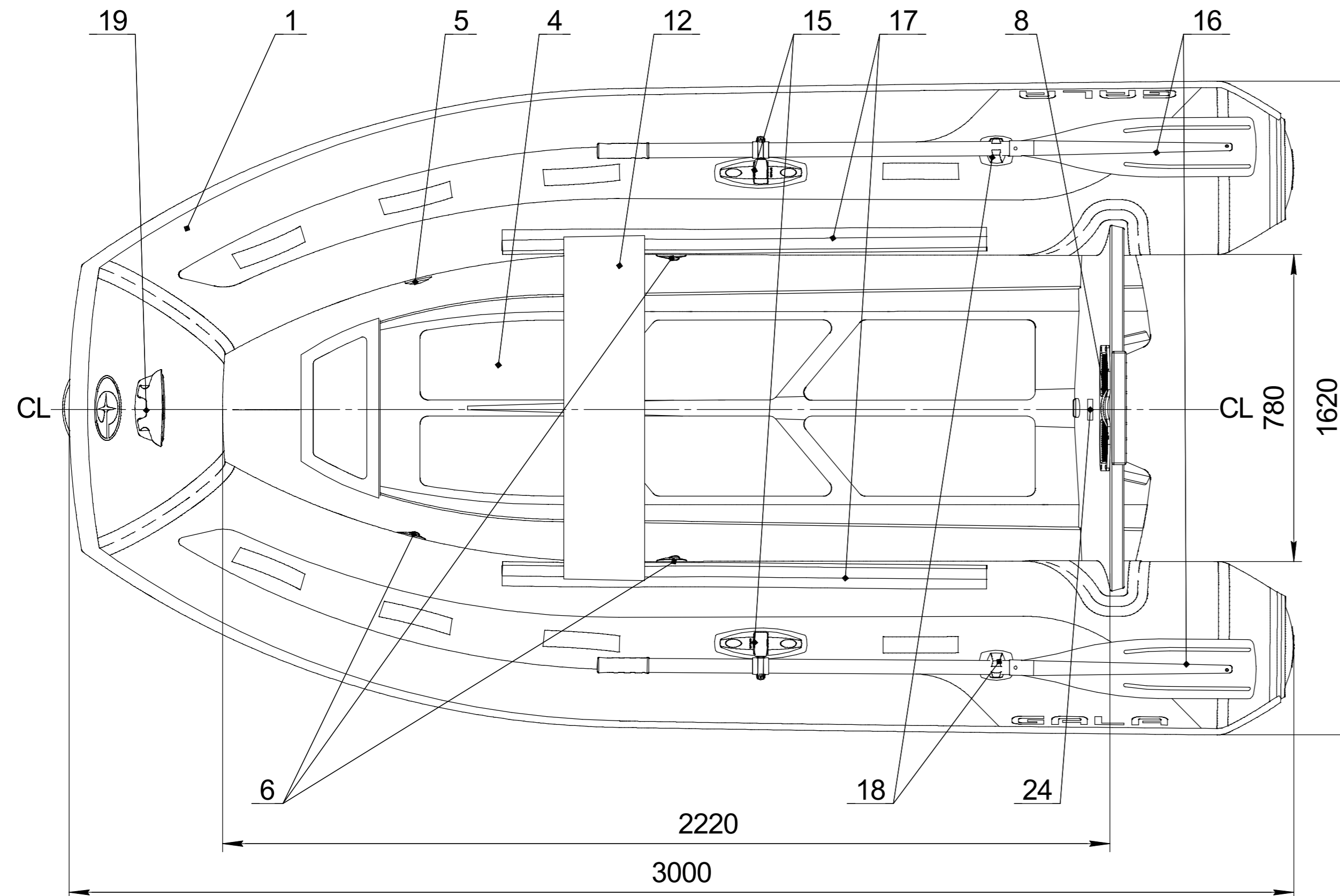
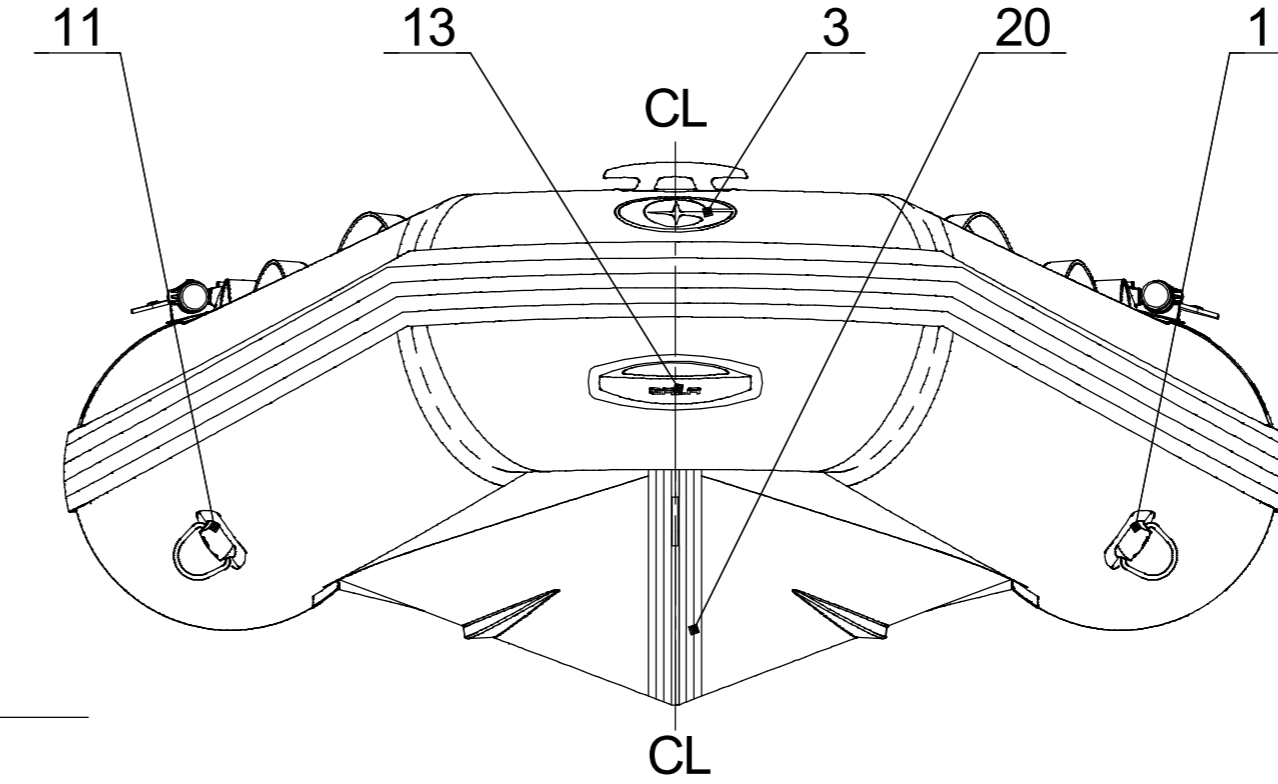
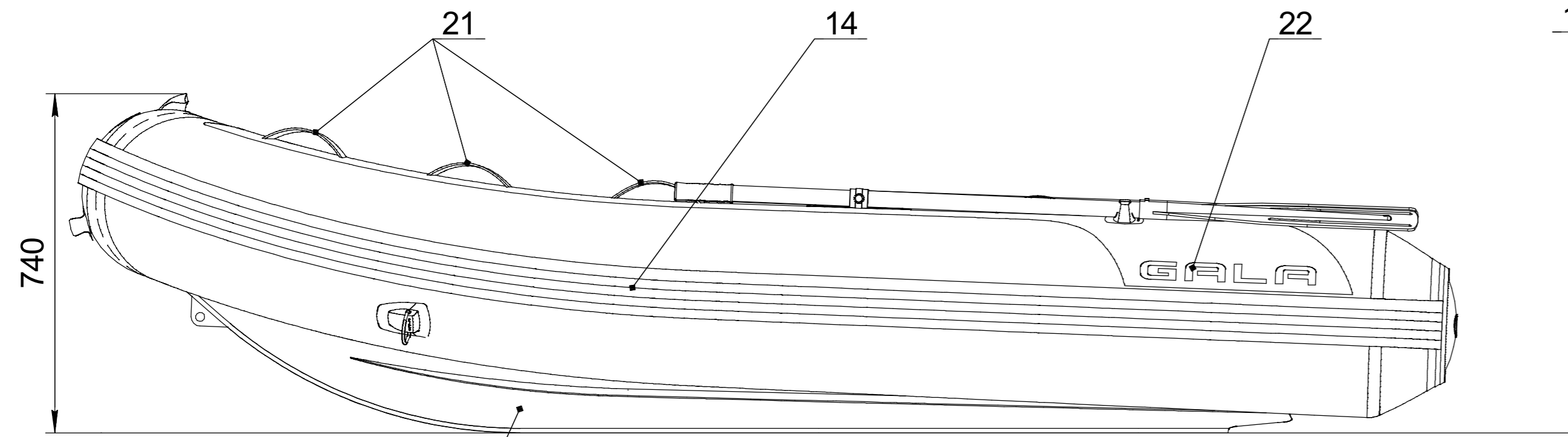


Inflatable boat GALA Atlantis A300

Technical drawing



Builder's plate

GALA
INFLATABLE BOATS

Model **A300** **4** +

400 kg **880** lbs

11 kW **15** HP Type **V**

50 kg **110** lbs Cat. **C**

0.2 bar **2.89** psi International Standard ISO/FDIS-6185

MADE IN UKRAINE
 GLOBAL GROUP

"CALIBR PROFIL" LLC
4, Matlakhova Str., Dnipro, UKRAINE

Boat specification

Item	Item No	Description	Q-ty	Note
1		Inflatable tube for A300	1	
2		Aluminum hull for A300	1	
3		Logo GALA front	1	
4		Antiskid decking	1	
5		Over-pressure valve	1	
6		Inflation-deflation valve	3	
7		Motor plate external	1	
8		Motor plate internal	1	
9		Expanding drain plug	1	
10		Tube end, PVC	2	
11		Towing eye, PVC	2	
12		Aluminum seat	1	
13		GALA handle, PVC	1	
14		Rubbing strake	1	
15		Oarlock	2	
16		Oar 160cm with rivot	2	
17		Seat holder	2	
18		Oar holder	2	
19		GALA cleat, PVC	1	
20		Keel protector	1	
21		Safety grab handle	8	
22		GALA logo	2	
23		CIN plate	1	
24		Builder's plate	1	

NAME	DATE	ITEM No:		
DRAWN				
CHECKED		TITLE:		
ENG APPR.		GALA Atlantis A300		
MFG APPR.				
Q.A.				
PROPRIETARY AND CONFIDENTIAL THE INFORMATION CONTAINED IN THIS DRAWING IS THE SOLE PROPERTY OF CALIBR PROFIL LLC		SIZE	DWG. NO.	REV
		SCALE: 1:10	WEIGHT:	SHEET 1 OF 1