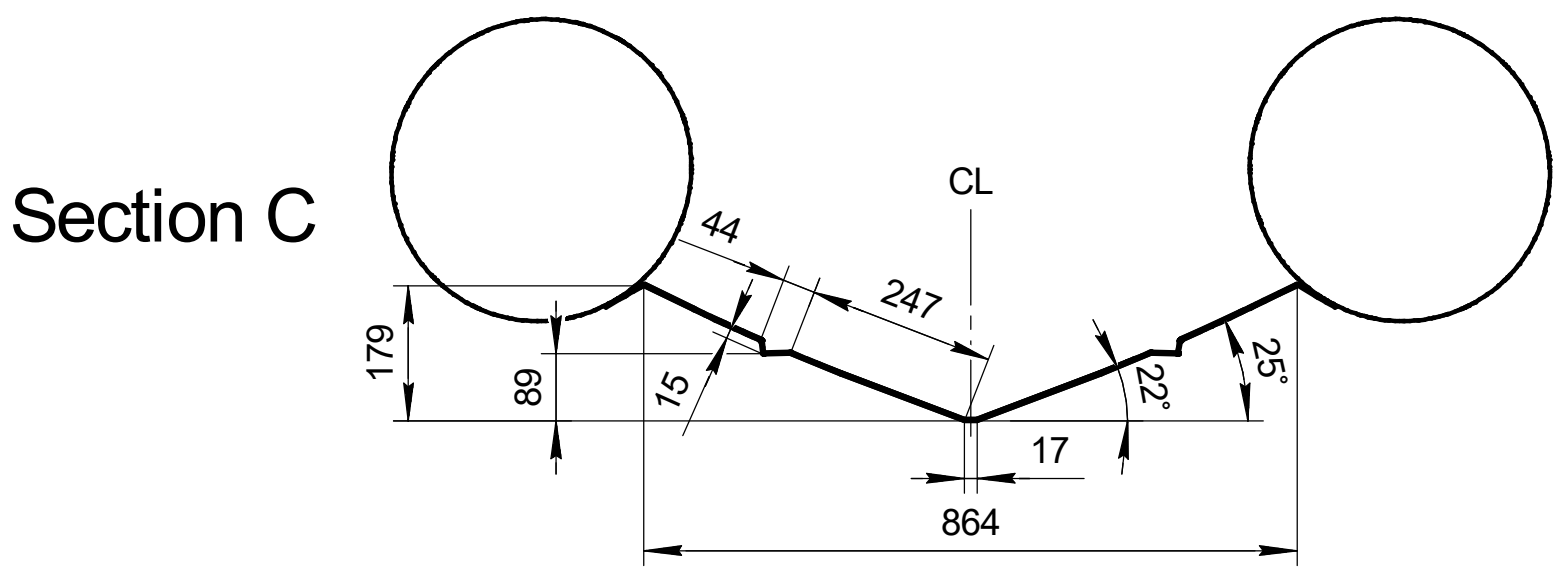
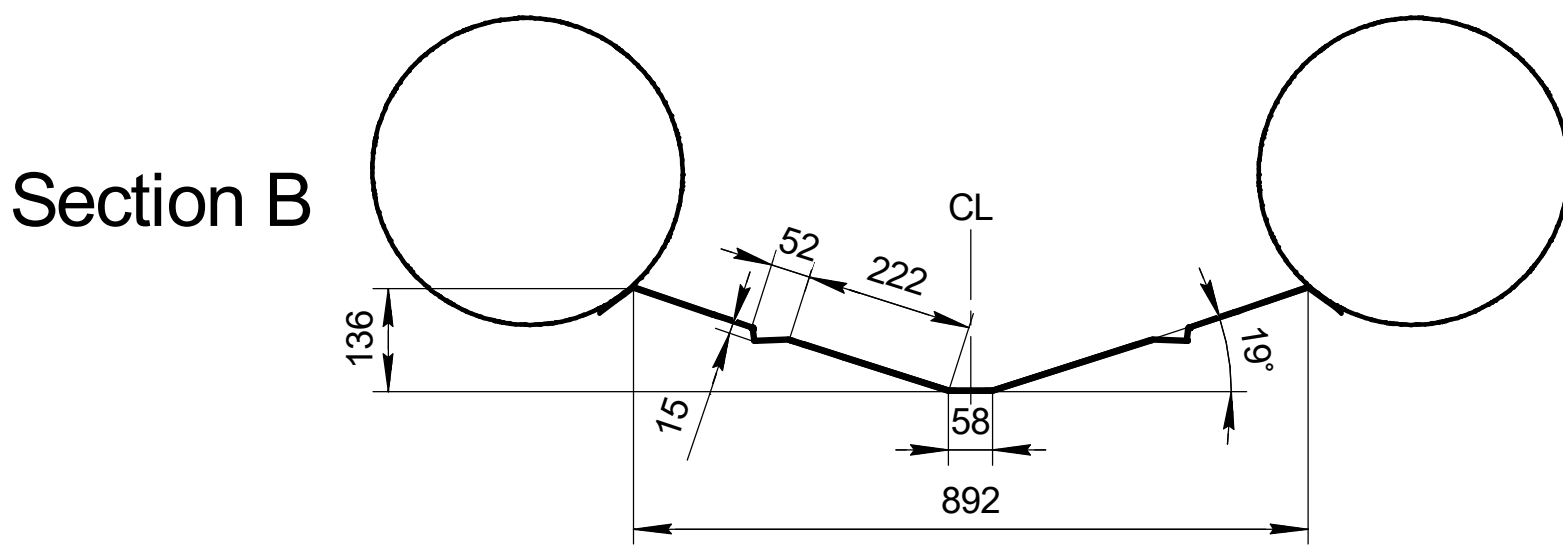
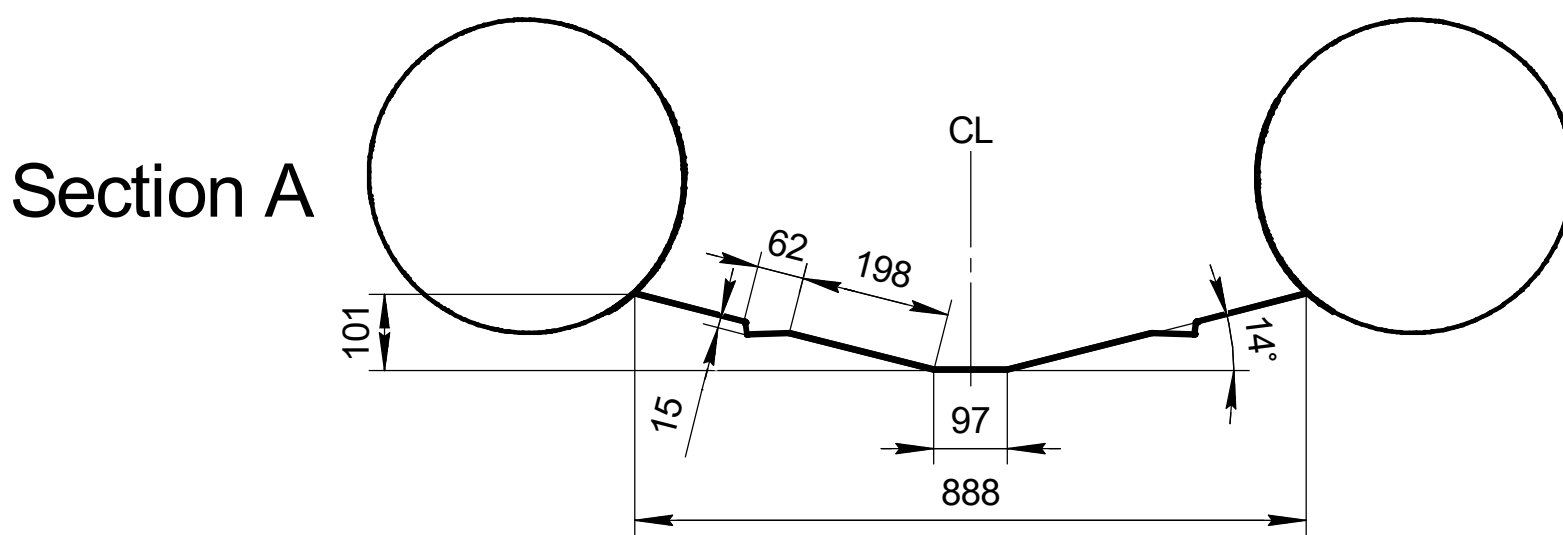


* Dimensions are from the rear edge of the bottom.



	NAME	DATE	ITEM No:
DRAWN			
CHECKED			TITLE:
ENG APPR.			GALA Atlantis A300 Hull sections for chocks design
MFG APPR.			
Q.A.			
<small>PROPRIETARY AND CONFIDENTIAL THE INFORMATION CONTAINED IN THIS DRAWING IS THE SOLE PROPERTY OF CALIBR PROFI LLC</small>			
SIZE		DWG. NO.	REV
SCALE: 1:10		WEIGHT:	SHEET 1 OF 1