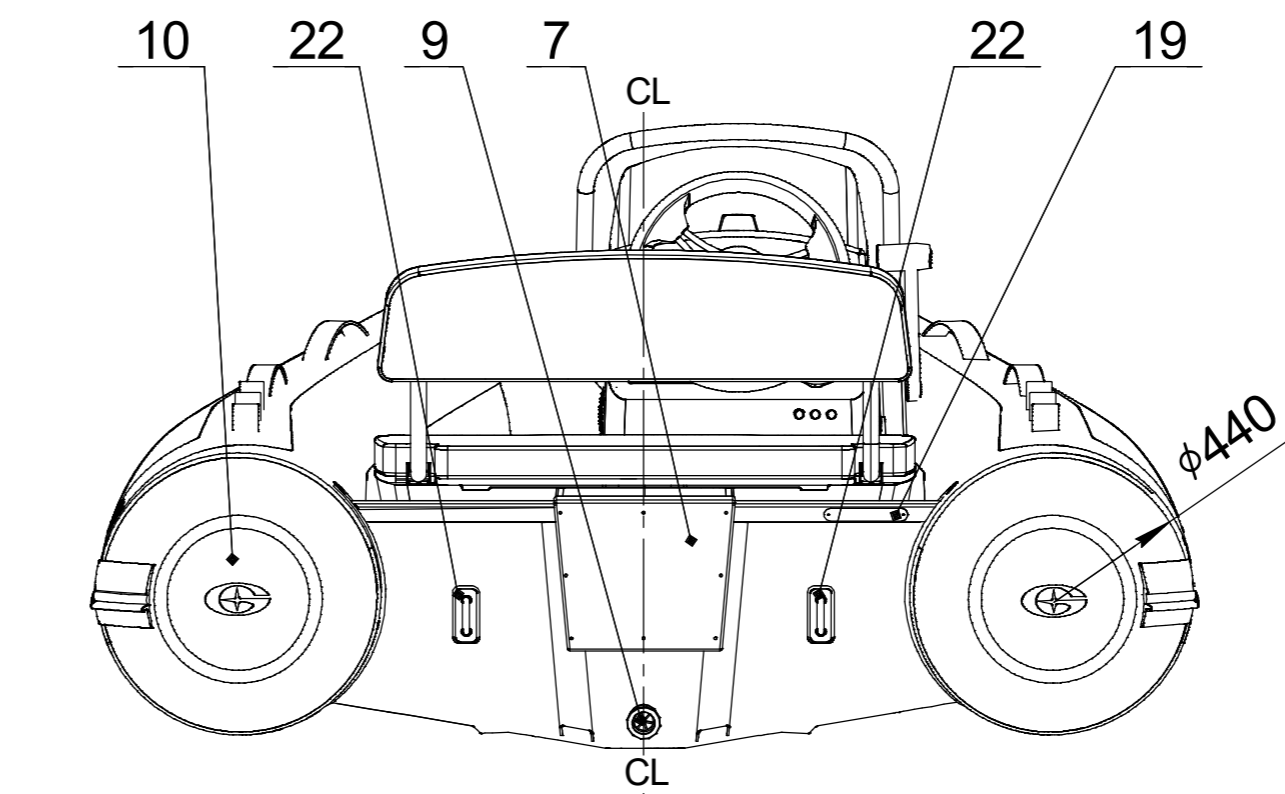
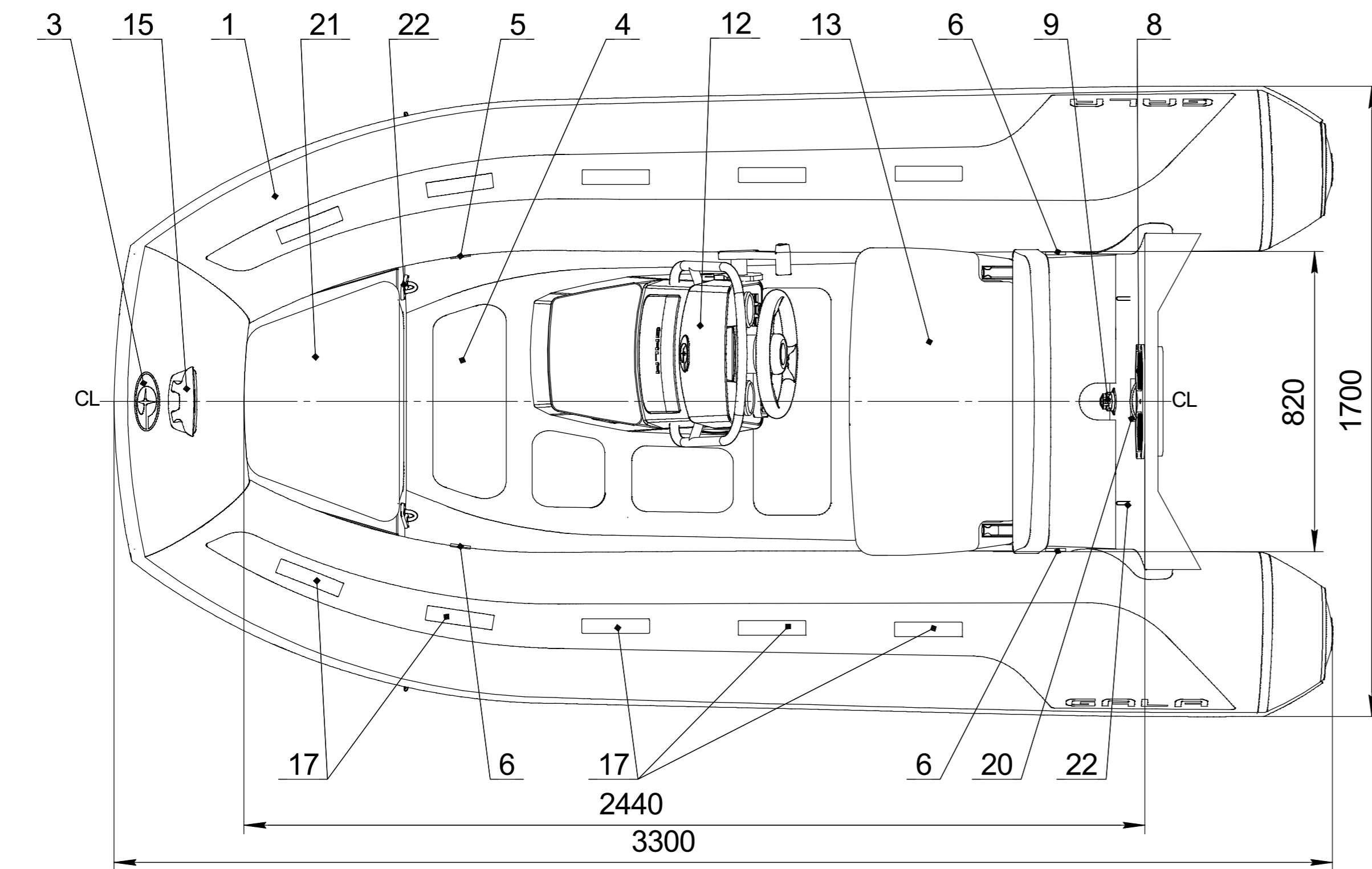
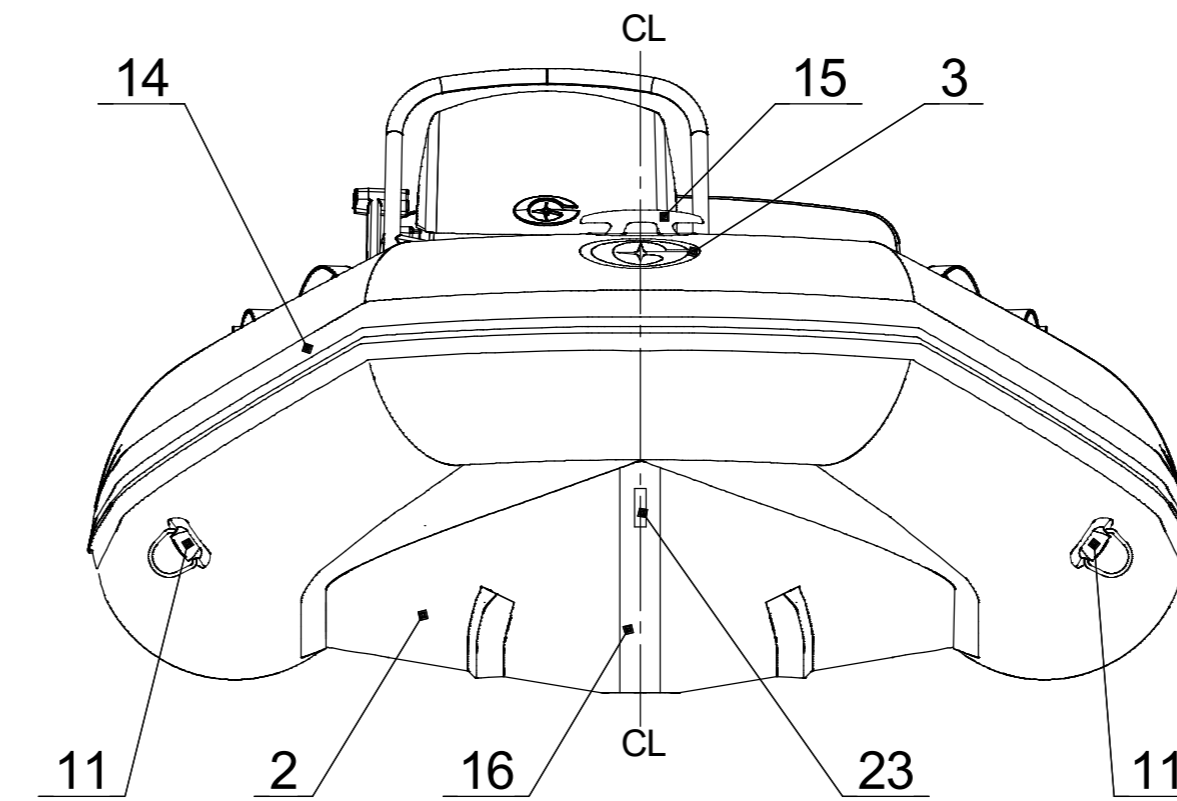
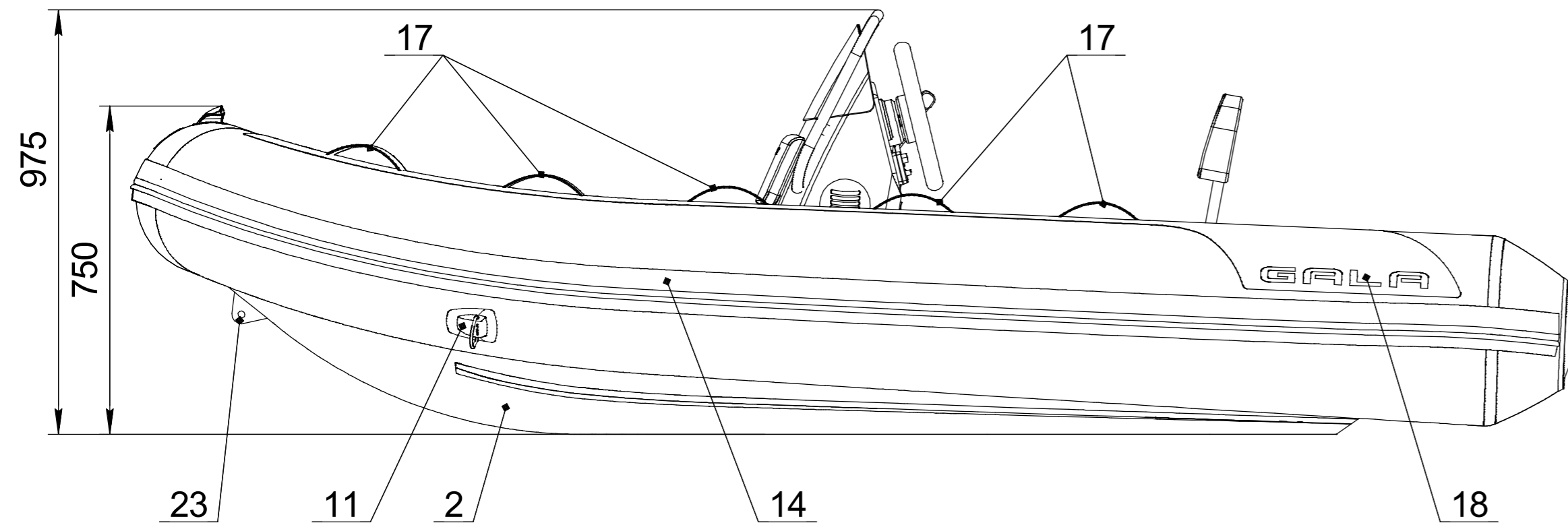


# Inflatable boat GALA Atlantis A330L

## Technical drawing



### Builder's plate

**GALA**  
INFLATABLE BOATS

Model **A330L**    **5** + **1**

**500** kg    **1100** lbs

**22.1** kW    **30** HP    Type **VII**

**70** kg    **154** lbs    Cat. **C**

**0.2** bar    **2.89** psi    International Standard ISO/FDIS-6185

MADE IN UKRAINE       "CALIBR PROF" LLC  
4, Matlakhova Str., Dnipro, UKRAINE

### Boat specification

Item	Item No	Description	Q-ty	Note
1		Inflatable tube for A330L	1	
2		Aluminum hull for A330L	1	
3		GALA logo front	1	
4		Antiskid decking	1	
5		Over-pressure valve	1	
6		Inflation-deflation valve	3	
7		Motor plate external	1	
8		Motor plate internal	1	
9		Expanding drain plug	1	
10		Tube end, PVC	2	
11		Towing eye, PVC	2	
12		Steering console C-02	1	
13		Seat S-01	1	
14		Rubbing strake	1	
15		Bow Cleat Large	1	
16		Keel protector	1	
17		Safety grab handle	10	
18		GALA logo	2	
19		CIN plate	1	
20		Builder's plate	1	
21		Bow locker cushion	1	
22				
23				
24				

NAME	DATE	ITEM No:		
DRAWN				
CHECKED		TITLE:		
ENG APPR.		<b>GALA Atlantis A330L</b>		
MFG APPR.				
O.A.				
PROPRIETARY AND CONFIDENTIAL THE INFORMATION CONTAINED IN THIS DRAWING IS THE SOLE PROPERTY OF CALIBR PROF LLC		SIZE	DWG. NO.	REV
		SCALE: 1:10	WEIGHT:	SHEET 1 OF 1