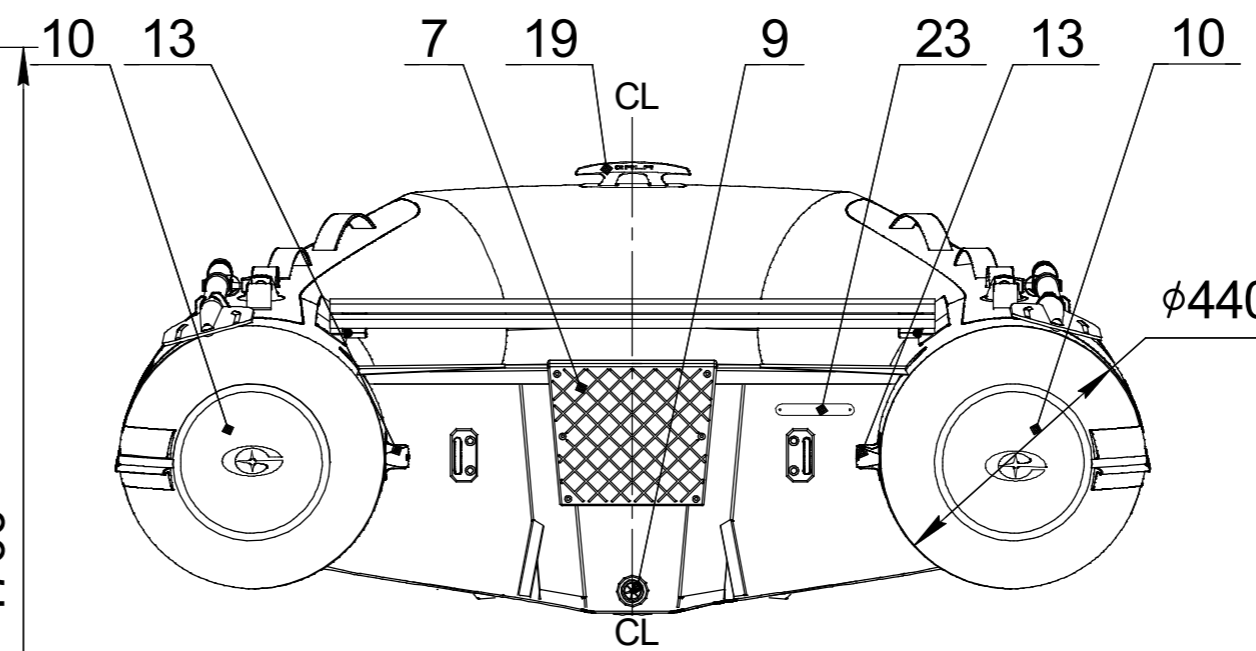
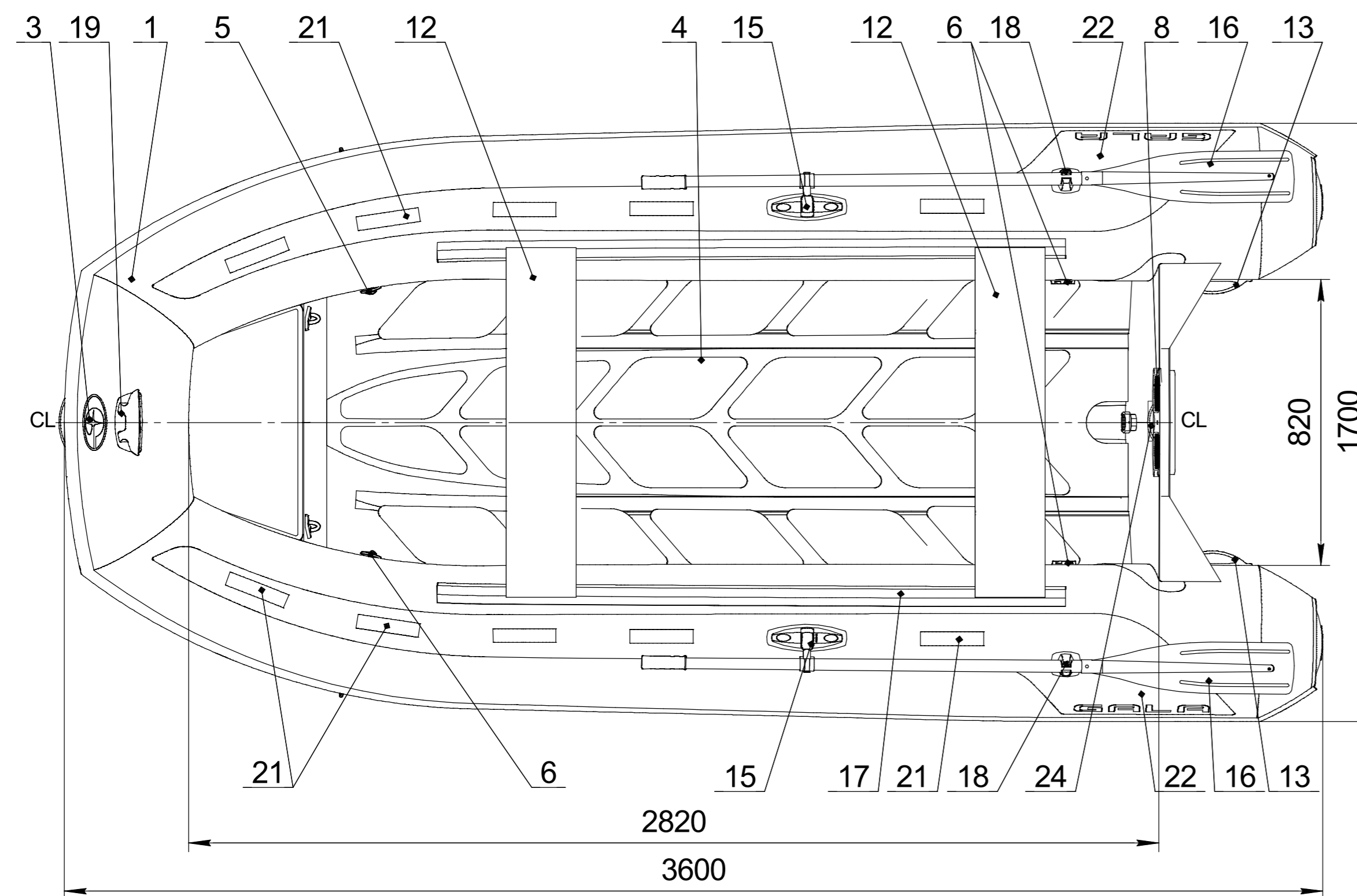
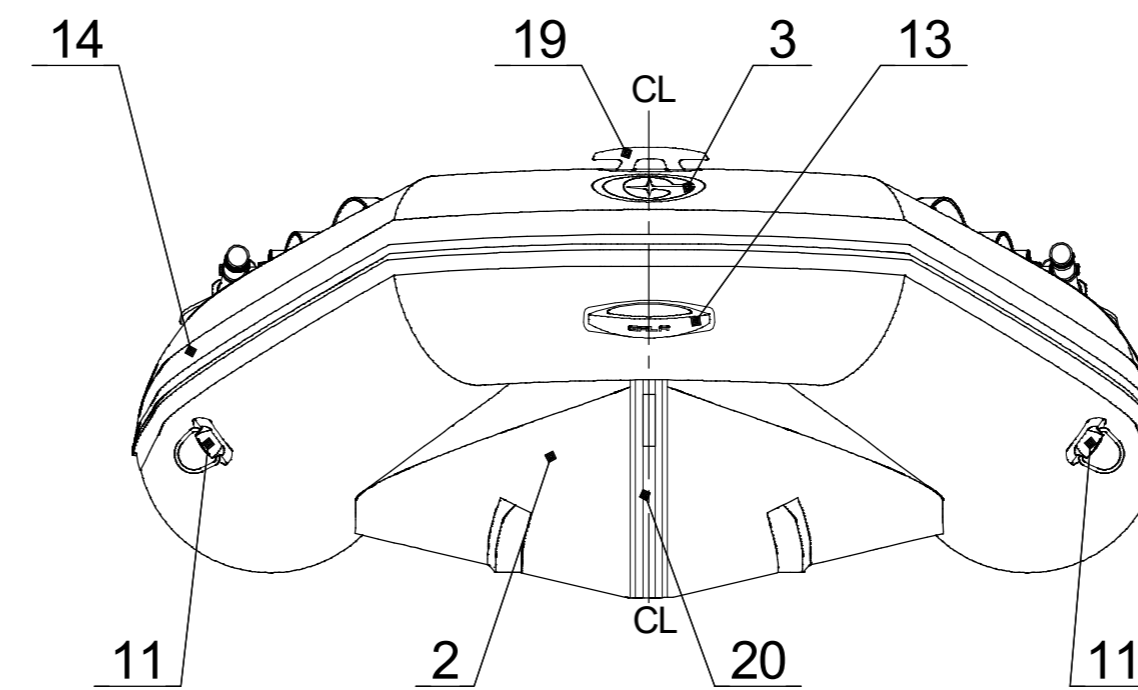
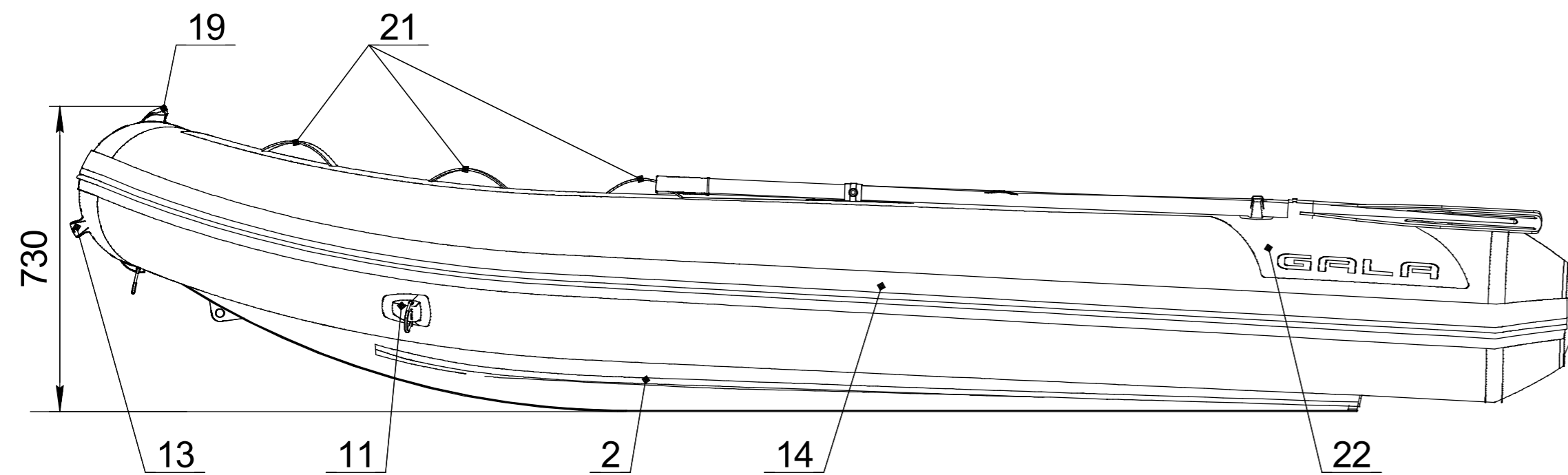


# Inflatable boat GALA Atlantis A360D

## Technical drawing



## Builder's plate

Model **A360D**    6 + 1

+ + + 600 kg    1320 lbs

18.4 kW    25 HP    Type **VII**

70 kg    154 lbs    Cat. **C**

0.2 bar    2.89 psi    International Standard ISO/FDIS-9183

MADE IN UKRAINE    "CALIBR PROFI" LLC  
4, Matlakhova Str., Dnipro, UKRAINE

## Boat specification

Item	Item No	Description	Q-ty	Note
1		Inflatable tube for A360D	1	
2		Aluminum hull for A360D	1	
3		GALA logo front	1	
4		Antiskid decking	1	
5		Over-pressure valve	1	
6		Inflation-deflation valve	3	
7		Motor plate external	1	
8		Motor plate internal	1	
9		Expanding drain plug	1	
10		Tube end, PVC	2	
11		Towing eye, PVC	2	
12		Aluminum seat	2	
13		GALA handle, PVC	3	
14		Rubbing strake	1	
15		Oarlock	2	
16		Oar 180cm with rivert	2	
17		Seat holder	2	
18		Oar holder	2	
19		GALA cleat, PVC	1	
20		Keel protector	1	
21		Safety grab handle	10	
22		GALA logo	2	
23		CIN plate	1	
24		Builder's plate	1	

NAME	DATE	ITEM No:
DRAWN		
CHECKED		TITLE:
ENG APPR.		<b>GALA Atlantis A360D</b>
MFG APPR.		
Q.A.		
<small>PROPRIETARY AND CONFIDENTIAL THE INFORMATION CONTAINED IN THIS DRAWING IS THE SOLE PROPERTY OF CALIBR PROFI LLC</small>		SIZE: _____    DWG. NO. _____    REV _____ SCALE: 1:10    WEIGHT: _____    SHEET 1 OF 1