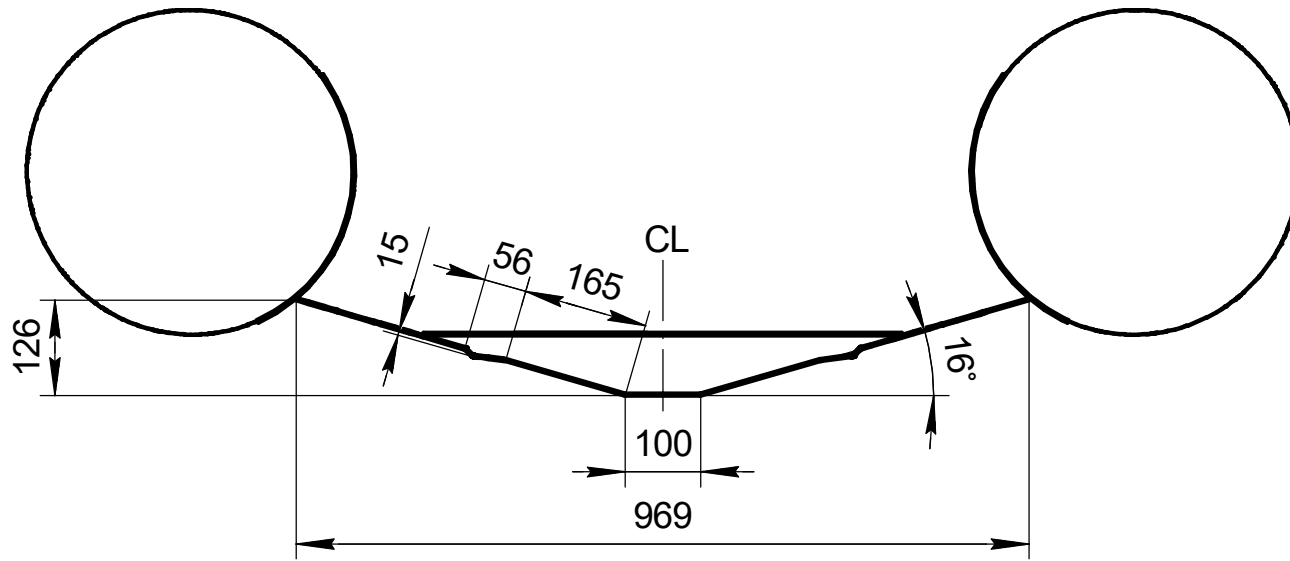
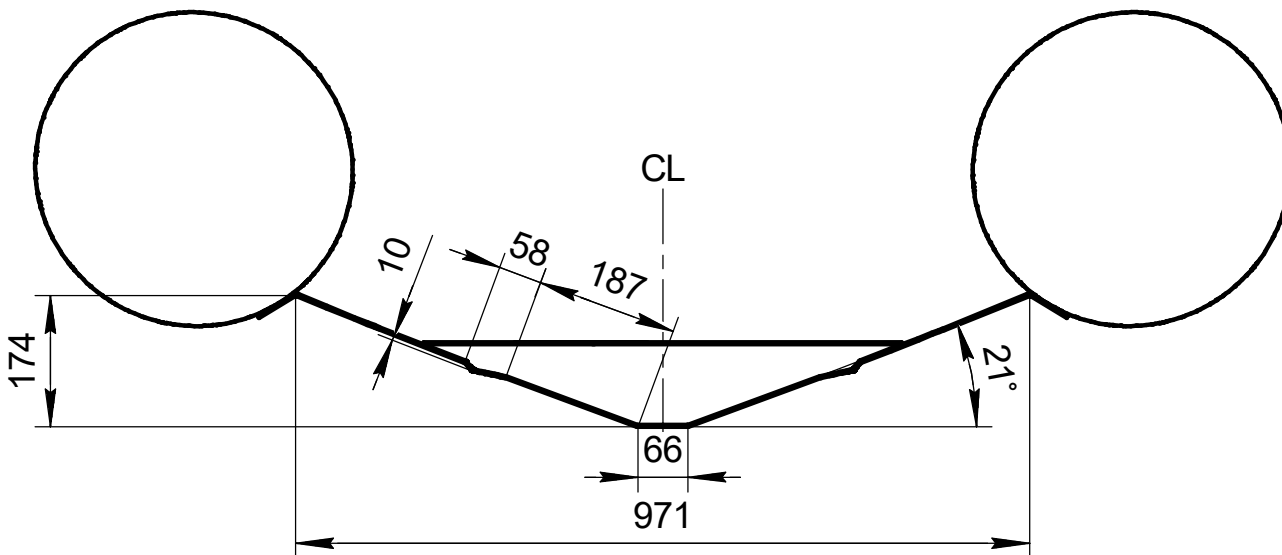


* Dimensions are from the rear edge of the bottom.

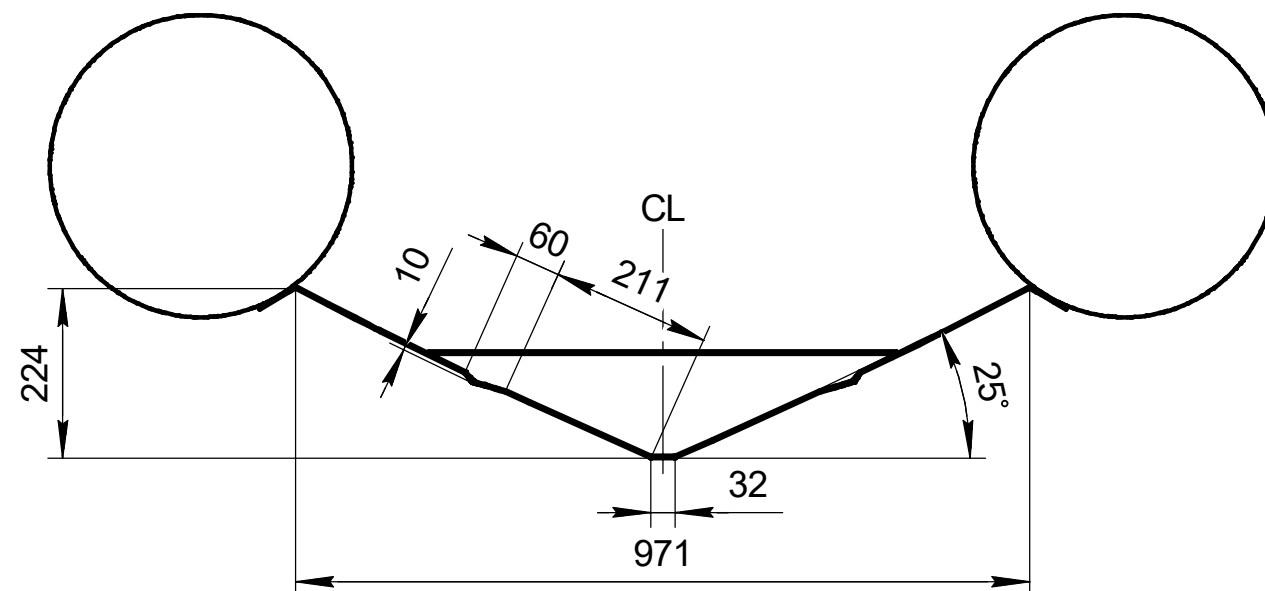
Section A



Section B



Section C



	NAME	DATE	ITEM No:	
DRAWN			TITLE:	
CHECKED			GALA Atlantis A390D Hull sections for chocks design	
ENG APPR.				
MFG APPR.				
Q.A.				
<small>PROPRIETARY AND CONFIDENTIAL THE INFORMATION CONTAINED IN THIS DRAWING IS THE SOLE PROPERTY OF CALIBR PROFI LLC</small>			SIZE	DWG. NO.
			SCALE: 1:10	WEIGHT:
			SHEET 1 OF 1	