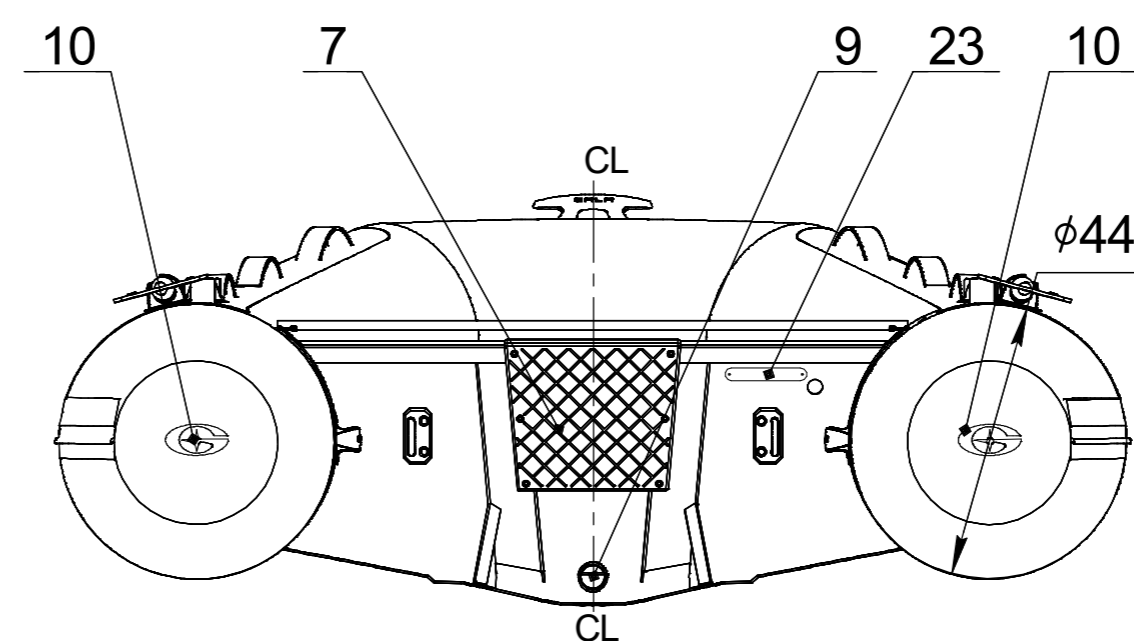
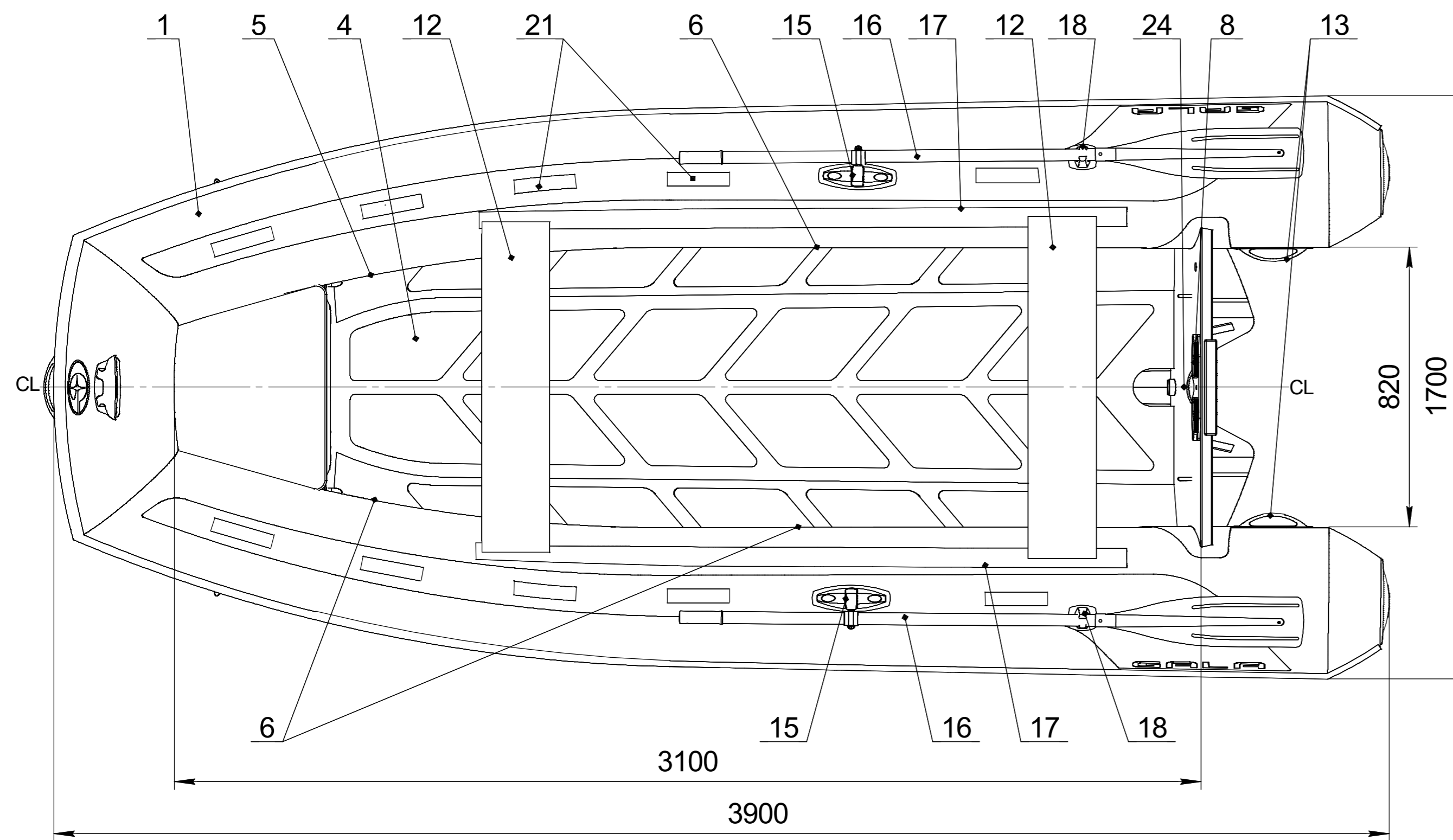
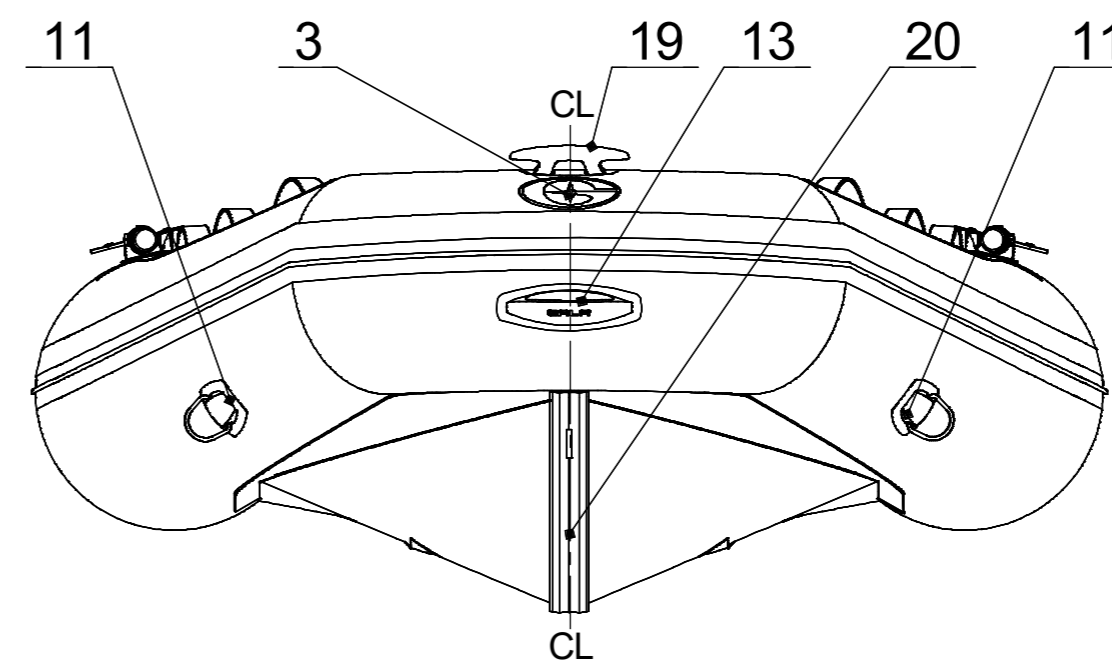
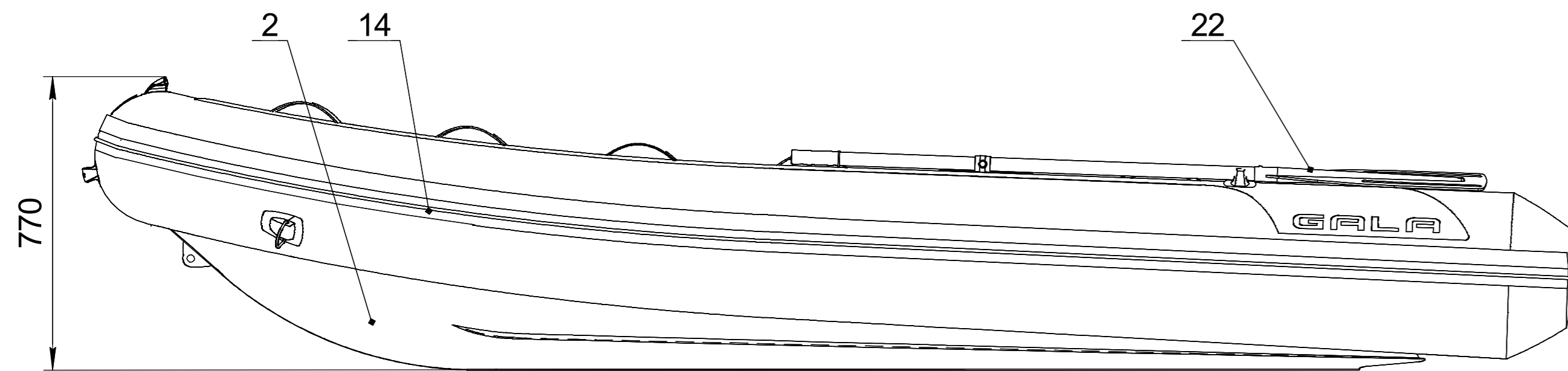


Inflatable boat GALA Atlantis A390D

Technical drawing



Builder's plate

Model **A390D** **6** +
650 kg **1430** lbs
22.1 kW **30** HP Type **VII**
70 kg **154** lbs Cat. **C**
0.2 bar **2.89** psi International Standard ISO/FDIS-6185

MADE IN UKRAINE
"CALIBR PROFI" LLC
4, Matlakhova Str., Dnipro, UKRAINE

Boat specification

Item	Item No	Description	Q-ty	Note
1		Inflatable tube for A390D	1	
2		Aluminum hull for A390D	1	
3		GALA logo front	1	
4		Antiskid decking	1	
5		Over-pressure valve	1	
6		Inflation-deflation valve	3	
7		Motor plate external	1	
8		Motor plate internal	1	
9		Expanding drain plug	1	
10		Tube end, PVC	2	
11		Towing eye, PVC	2	
12		Aluminum seat	2	
13		GALA handle, PVC	3	
14		Rubbing strake	1	
15		Oarlock	2	
16		Oar 180cm with rivert	2	
17		Seat holder	2	
18		Oar holder	2	
19		GALA cleat, PVC	1	
20		Keel protector	1	
21		Safety grab handle	10	
22		GALA logo	2	
23		CIN plate	1	
24		Builder's plate	1	

NAME	DATE	ITEM No:
DRAWN		
CHECKED		TITLE:
ENG APPR.		GALA Atlantis A390D
MFG APPR.		
O.A.		
<small>PROPRIETARY AND CONFIDENTIAL THE INFORMATION CONTAINED IN THIS DRAWING IS THE SOLE PROPERTY OF CALIBR PROFI LLC</small>		SIZE: _____ DWG. NO. _____ REV _____ SCALE: 1:10 WEIGHT: _____ SHEET 1 OF 1