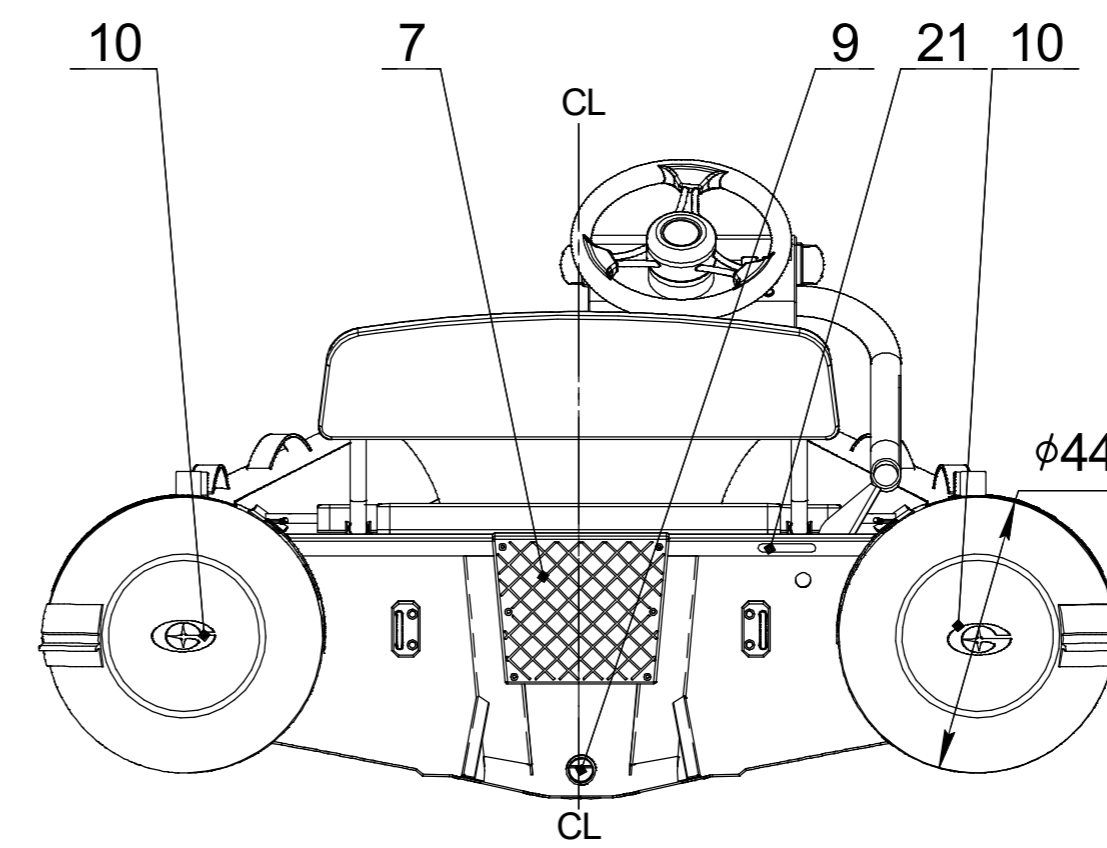
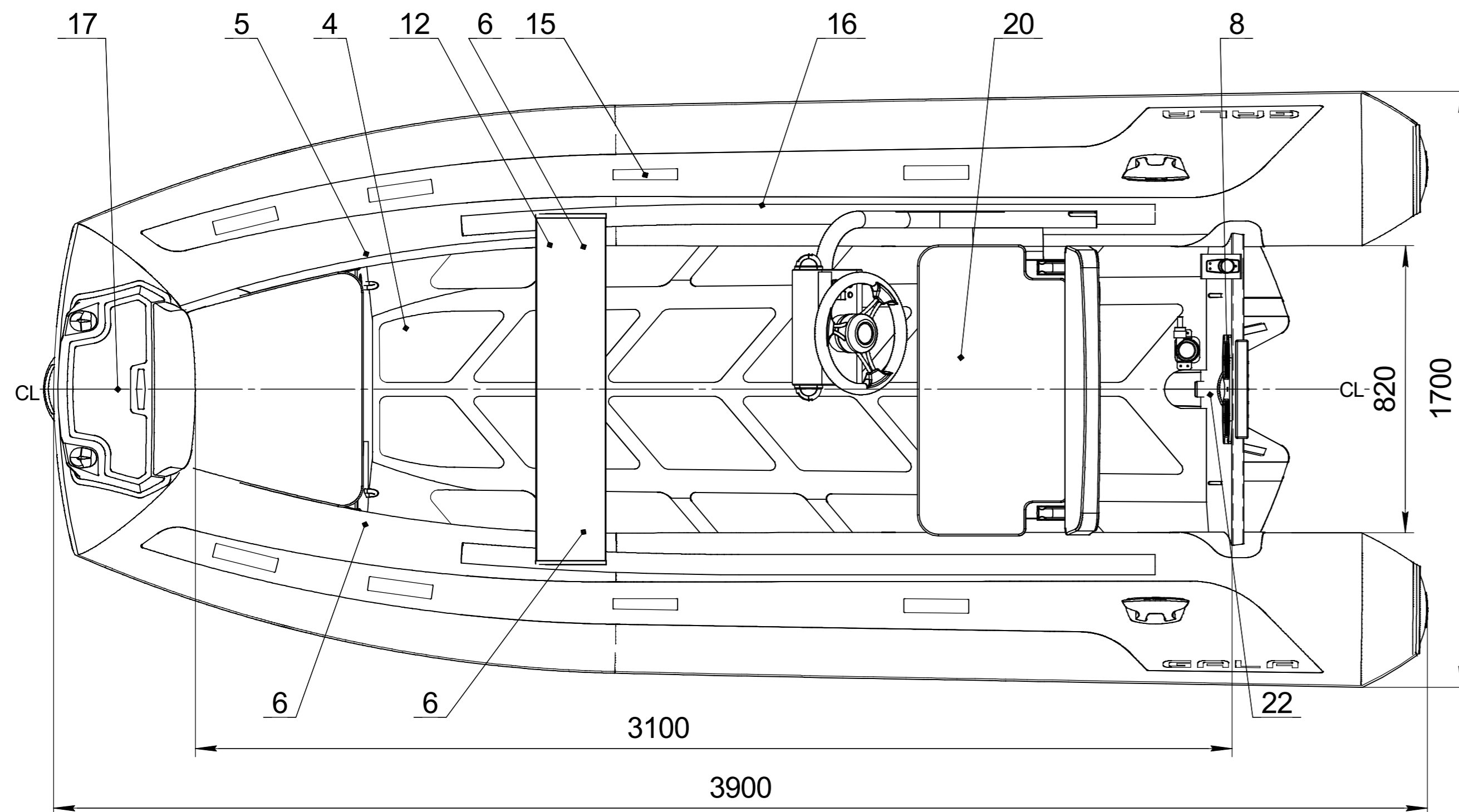
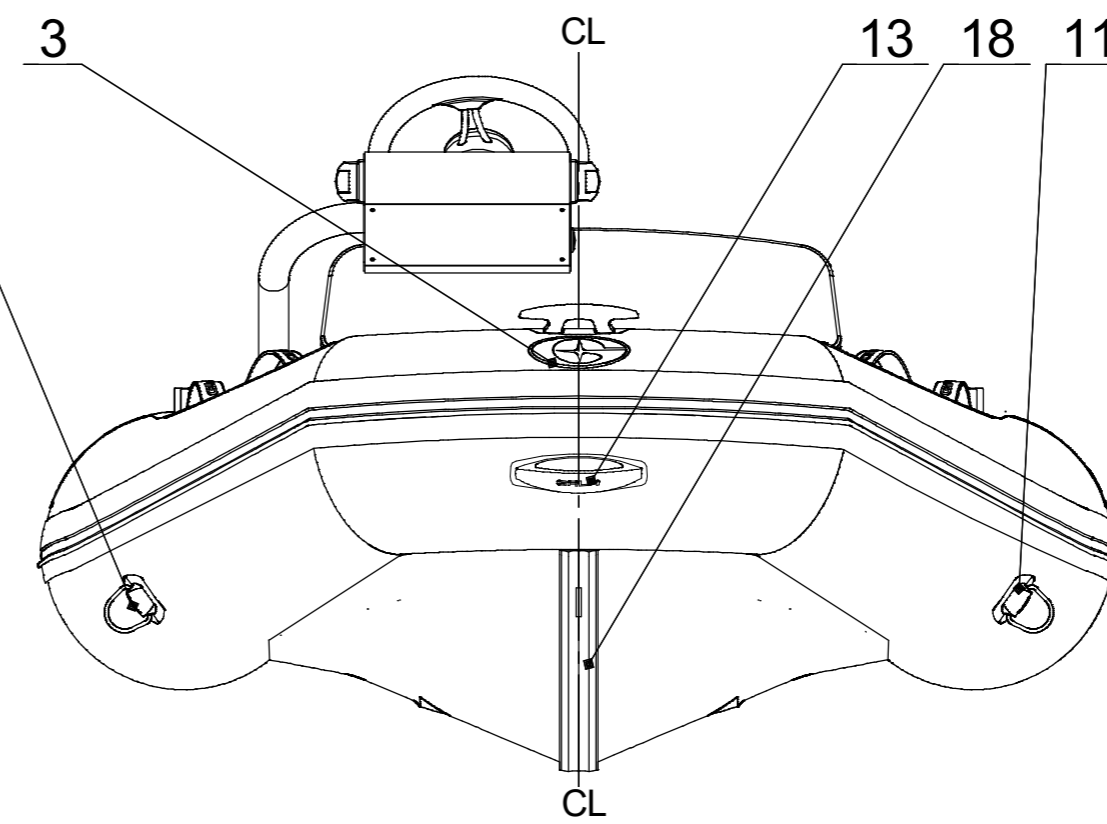
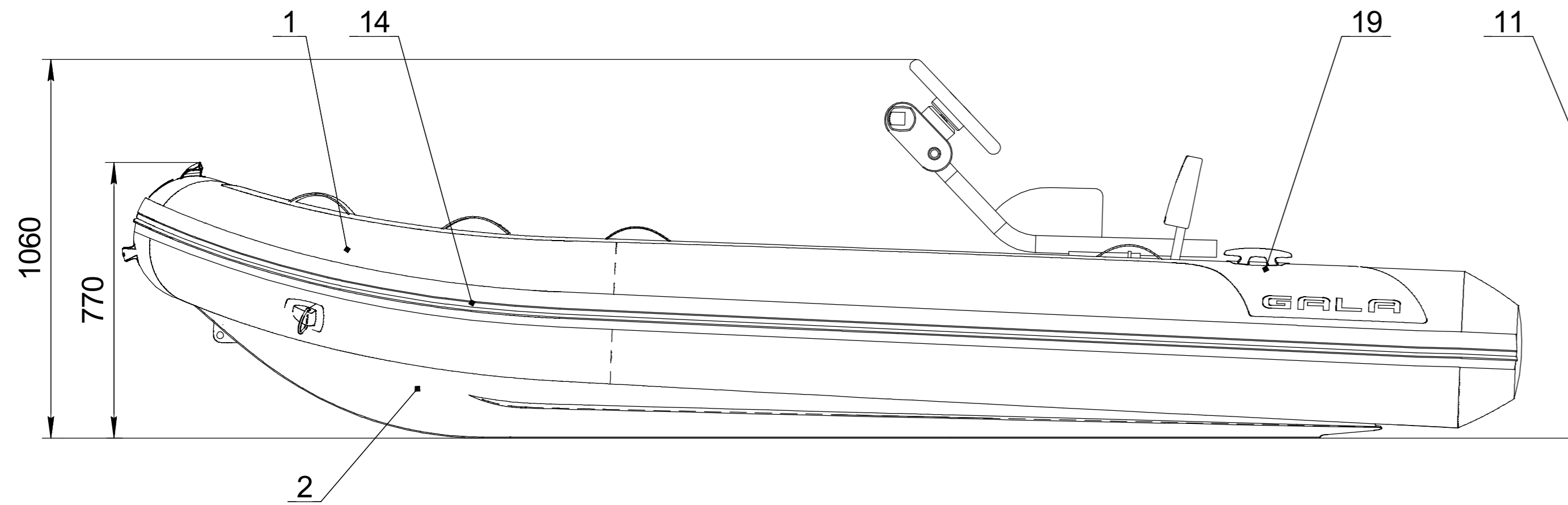


Inflatable boat GALA Atlantis A390Q

Technical drawing



Builder's plate

GALA
INFLATABLE BOATS

Model: **A390Q** **6** + **1**

650 kg **1430** lbs

22.1 kW **30** HP Type **VII**

70 kg **154** lbs Cat. **C**

0.2 bar **2.89** psi International Standard ISO/FDIS-6185

MADE IN UKRAINE
CELEX GLOBAL GROUP
"CALIBR PROFI" LLC
4, Matlakhova Str., Dnipro, UKRAINE

Boat specification

Item	Item No	Description	Q-ty	Note
1		Inflatable tube for A390Q	1	
2		Aluminum hull for A390Q	1	
3		GALA logo front	1	
4		Antiskid decking	1	
5		Over-pressure valve	1	
6		Inflation-deflation valve	3	
7		Motor plate external	1	
8		Motor plate internal	1	
9		Expanding drain plug	1	
10		Tube end, PVC	2	
11		Towing eye, PVC	2	
12		Aluminum seat	1	
13		GALA handle, PVC	3	
14		Rubbing strake	1	
15		Safety grab handle	10	
16		Seat holder	2	
17		Bow Cleat Large	1	
18		Keel protector	1	
19		GALA logo	2	
20		AQUAHELM Steering console S-08	1	
21		CIN plate	1	
22		Builder's plate	1	
23				
24				

NAME	DATE	ITEM No:
DRAWN		TITLE:
CHECKED		GALA Atlantis A390Q
ENG APPR.		
MFG APPR.		
Q.A.		
PROPRIETARY AND CONFIDENTIAL THE INFORMATION CONTAINED IN THIS DRAWING IS THE SOLE PROPERTY OF CALIBR PROFI LLC		SIZE
		DWG. NO.
		REV
		SCALE: 1:10
		WEIGHT:
		SHEET 1 OF 1