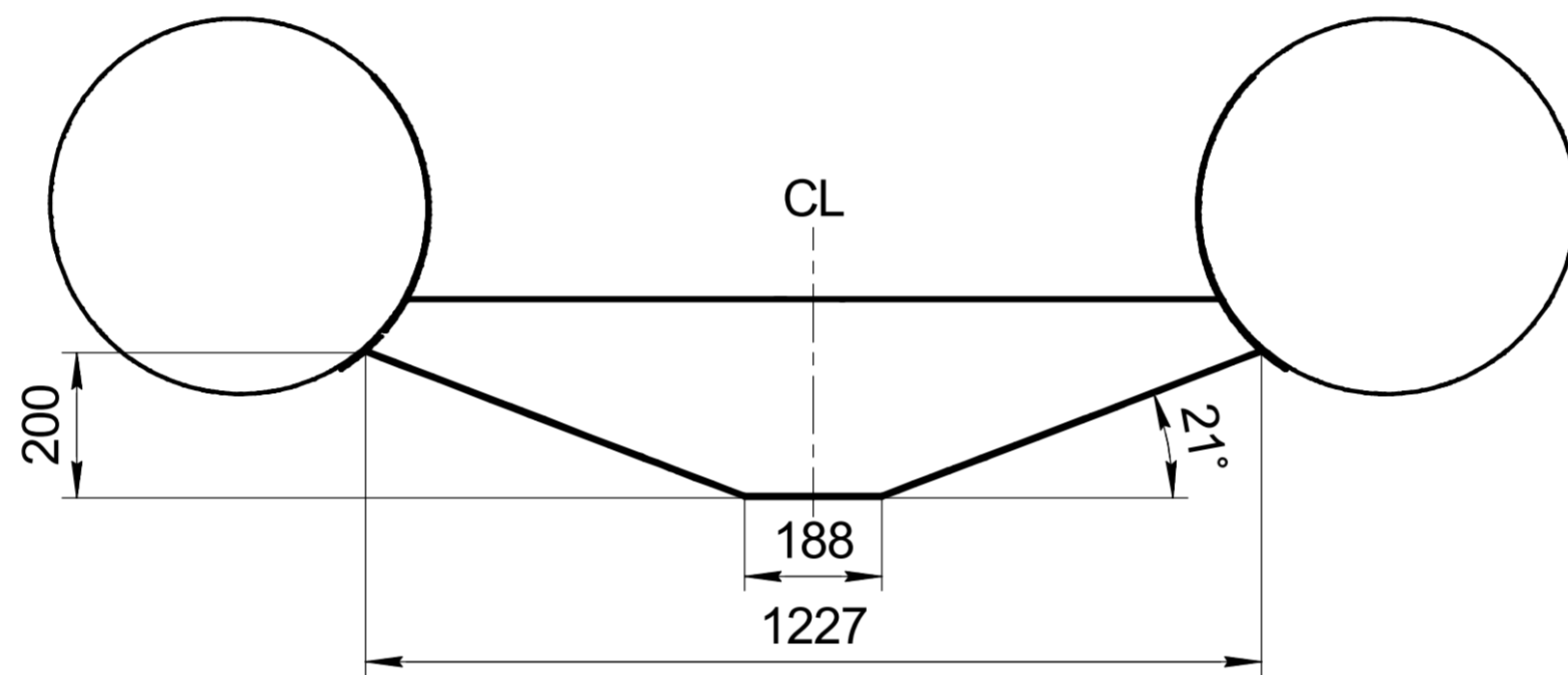
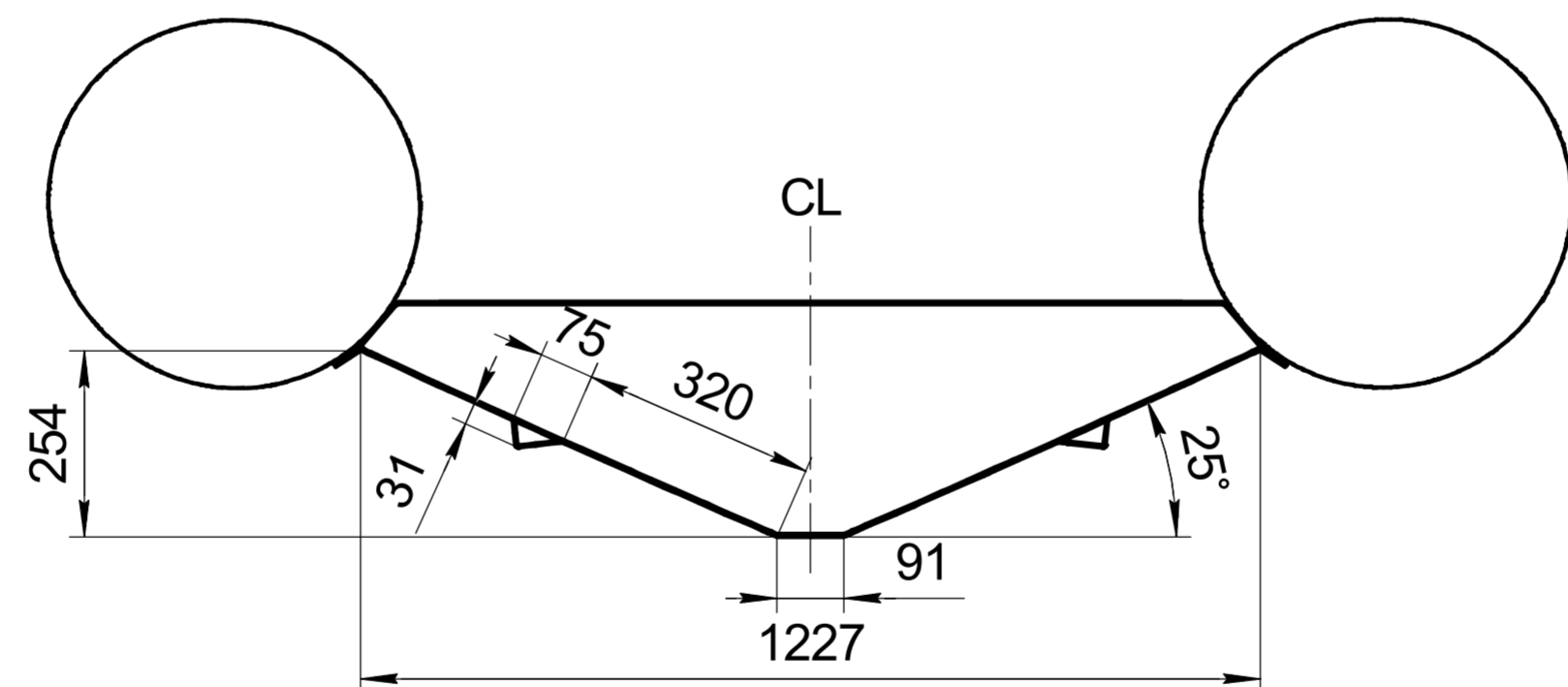


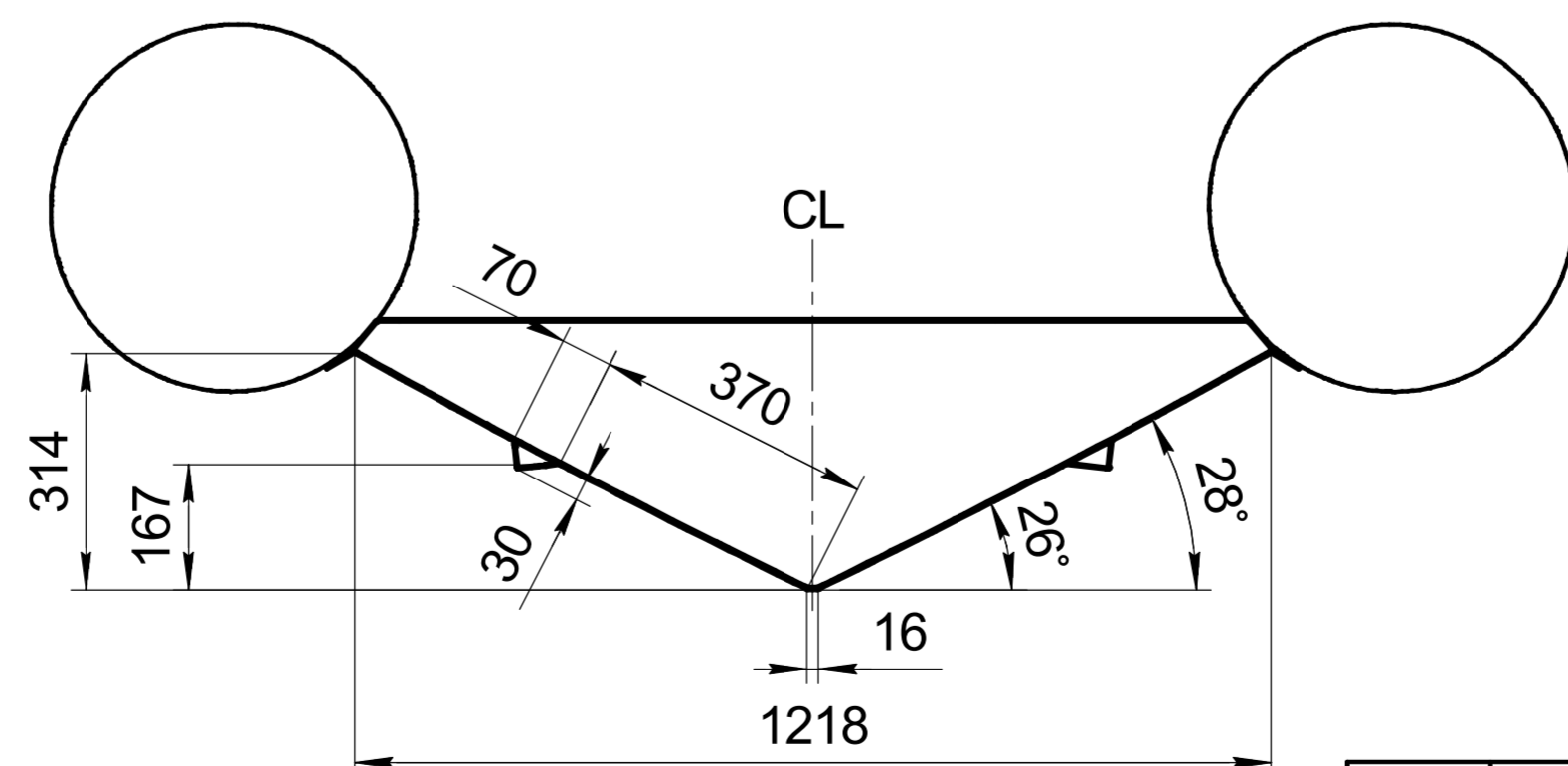
Section A



Section B



Section C



	NAME	DATE	ITEM No:
DRAWN			
CHECKED			TITLE:
ENG APPR.			GALA Atlantis A500L Hull sections for chocks design
MFG APPR.			
Q.A.			
<small>PROPRIETARY AND CONFIDENTIAL THE INFORMATION CONTAINED IN THIS DRAWING IS THE SOLE PROPERTY OF CALIBR PROFIT LLC</small>			SIZE
SCALE: 1:10		WEIGHT:	REV