

# Inflatable boat GALA Canoes C450

## Technical drawing

### Builder's plate

**GALA**  
INFLATABLE BOATS

Model: **C450**    **4** + **1**

**7** + **1** + **1** + **1**    **450** kg    **990** lbs

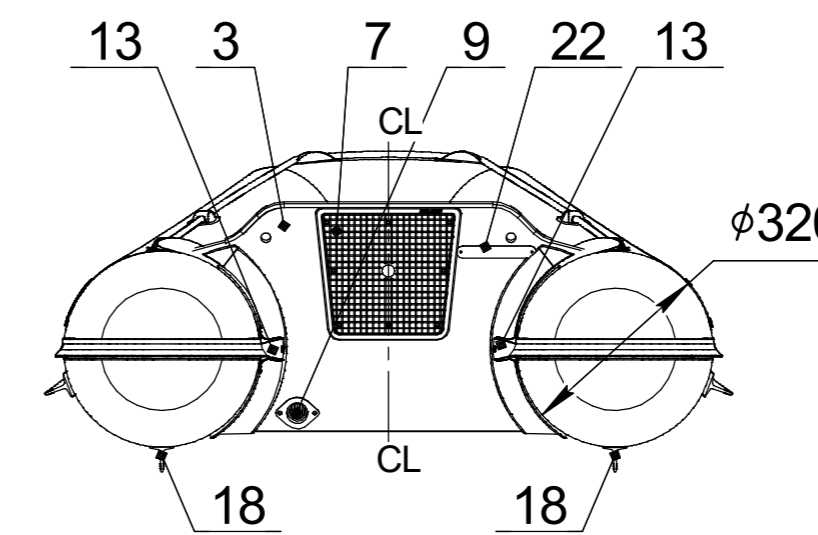
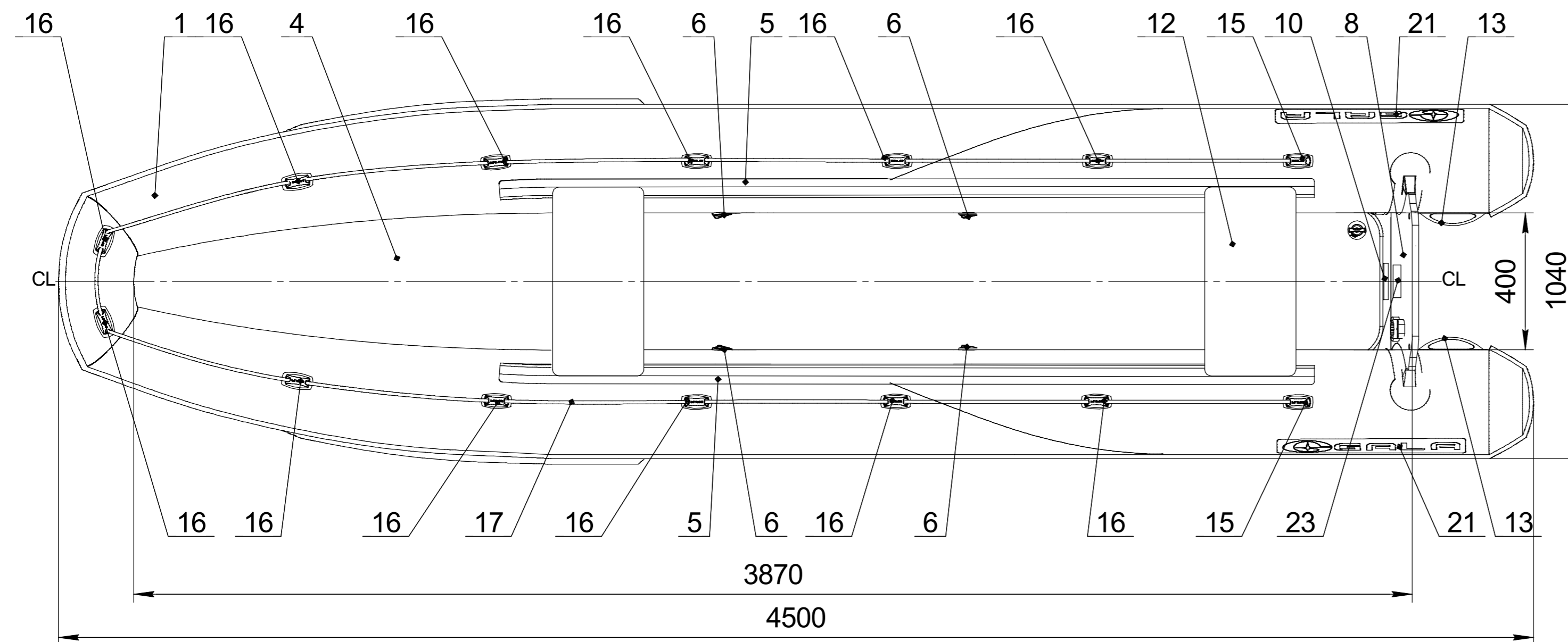
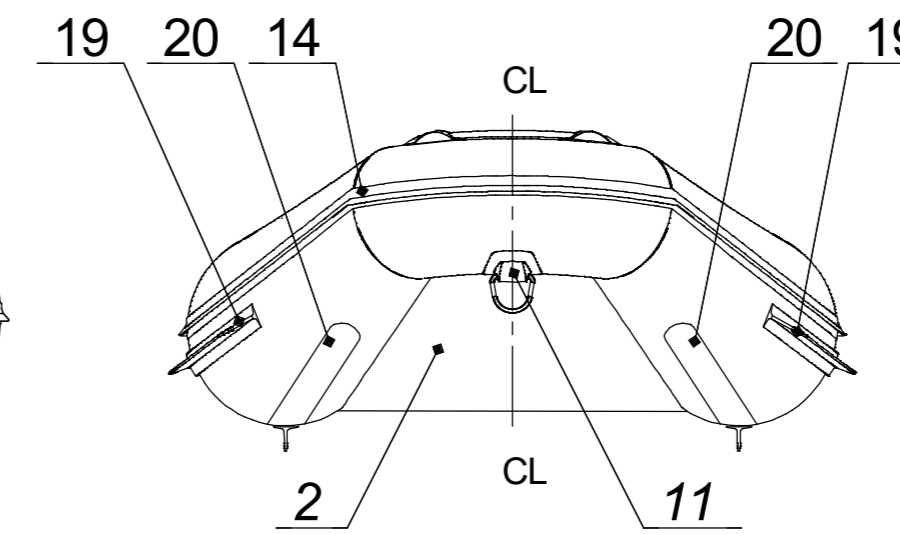
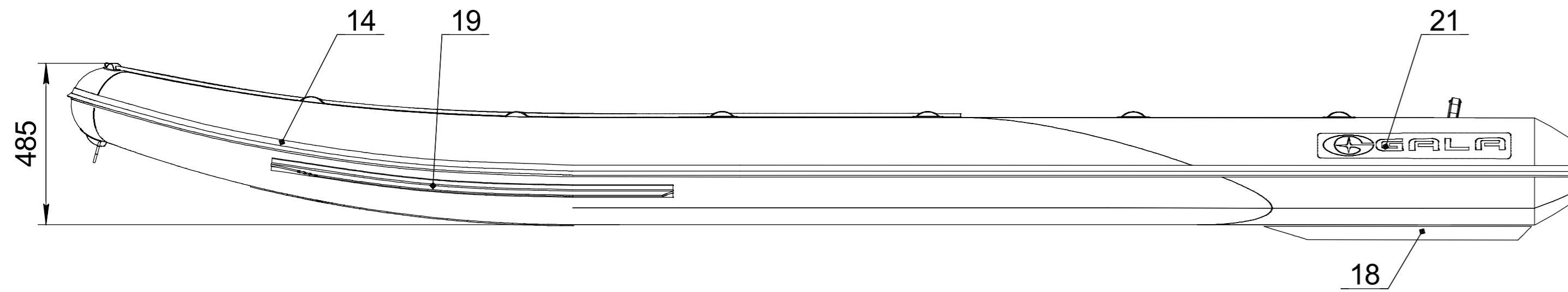
**5.9** kW    **8** HP    Type **V**

**40** kg    **88** lbs    Cat. **D**

**0.2** bar    **2.89** psi    International Standard ISO/FDIS-6185 **CE**

MADE IN UKRAINE  
**CELEX**  
4, Matlakhova Str., Dnipro, UKRAINE

"CALIBR PROFIL" LLC



### Boat specification

Item	Item No	Description	Q-ty	Note
1		Inflatable tube for C450	1	
2		Bottom for C450	1	
3		Transom for C450	1	
4		AirDeck for C450	1	
5		Seat holder	2	
6		Inflation-deflation valve	4	
7		Motor plate external	1	
8		Motor plate internal	1	
9		Expanding drain plug	1	
10		AirDeck stop	1	
11		Towing eye, PVC	1	
12		Seat	2	
13		GALA handle, PVC	2	
14		Rubbing strake	1	
15		Lifeline holder end	2	
16		Lifeline holder pass through	12	
17		Lifeline	1	
18		Stabilizer	2	
19		Spay deflecto	2	
20		Tube protector	2	
21		GALA logo	2	
22		CIN plate	1	
23		Builder's plate	1	

NAME	DATE	ITEM No:		
DRAWN				
CHECKED		TITLE:		
ENG APPR.		<b>GALA Canoes C450</b>		
MFG APPR.				
Q.A.				
PROPRIETARY AND CONFIDENTIAL THE INFORMATION CONTAINED IN THIS DRAWING IS THE SOLE PROPERTY OF CALIBR PROFIL LLC		SIZE	DWG. NO.	REV
SCALE: 1:10		WEIGHT:	SHEET 1 OF 1	