


Inflatable boat GALA Canoes C520

Technical drawing


Builder's plate



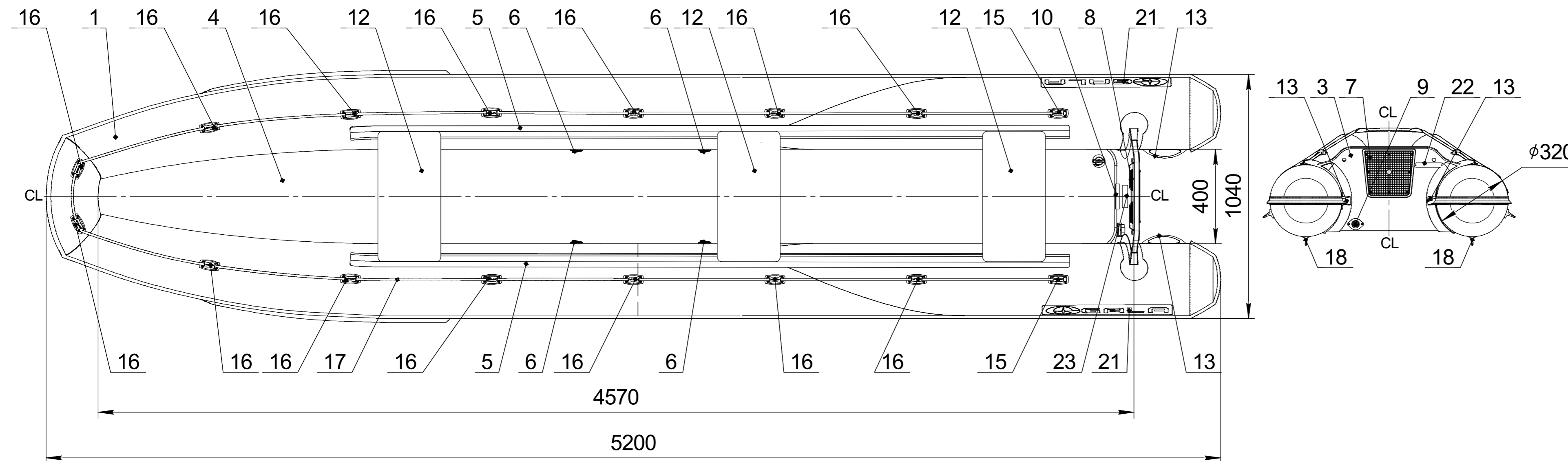
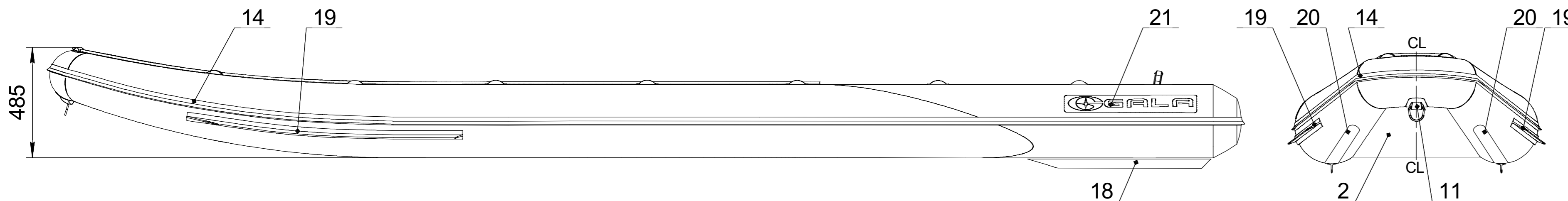
GALA
INFLATABLE BOATS

Model	C520		5	+	
	550	kg	1210	lbs	
	5.9	kw	8	HP	Type <input type="text" value="V"/>
	40	kg	88	lbs	Cat. <input type="text" value="D"/>
	0.2	bar	2.89	psi	International Standard ISO/FDIS-9185

MADE IN UKRAINE



"CALIBR PROFI" LLC
4, Matlakhova Str., Dnipro, UKRAINE



Boat specification

Item	Item No	Description	Q-ty	Note
1		Inflatable tube for C520	1	
2		Bottom for C520	1	
3		Transom for C520	1	
4		AirDeck for C520	1	
5		Seat holder	2	
6		Inflation-deflation valve	4	
7		Motor plate external	1	
8		Motor plate internal	1	
9		Expanding drain plug	1	
10		AirDeck stop	1	
11		Towing eye, PVC	1	
12		Seat	3	
13		GALA handle, PVC	2	
14		Rubbing strake	1	
15		Lifeline holder end	2	
16		Lifeline holder pass through	14	
17		Lifeline	1	
18		Stabilizer	2	
19		Spay deflecto	2	
20		Tube protector	2	
21		GALA logo	2	
22		CIN plate	1	
23		Builder's plate	1	

			NAME	DATE
DRAWN				
CHECKED				
ENG APPR.				
MFG APPR.				
Q.A.				
			ITEM No:	
			TITLE:	
			GALA Canoes C520	
			SIZE	DWG. NO.
			SCALE: 1:10	WEIGHT:
			REV	
			SHEET 1 OF 1	

PROPRIETARY AND CONFIDENTIAL
THE INFORMATION CONTAINED IN
THIS DRAWING IS THE SOLE
PROPERTY OF CALIBR PROFI LLC