

Inflatable boat GALA Freestyle F450

Technical drawing

Builder's plate

GALA
INFLATABLE BOATS

Model **F450** **10** + **10**

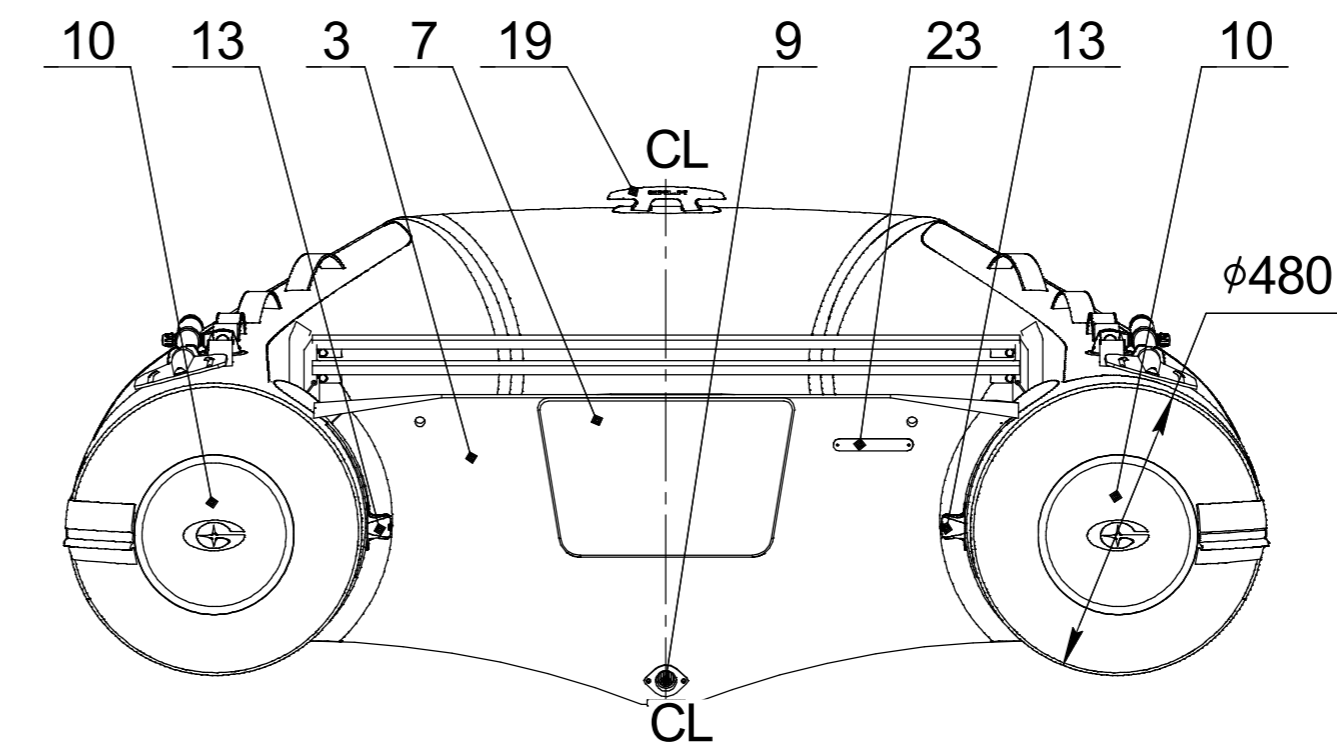
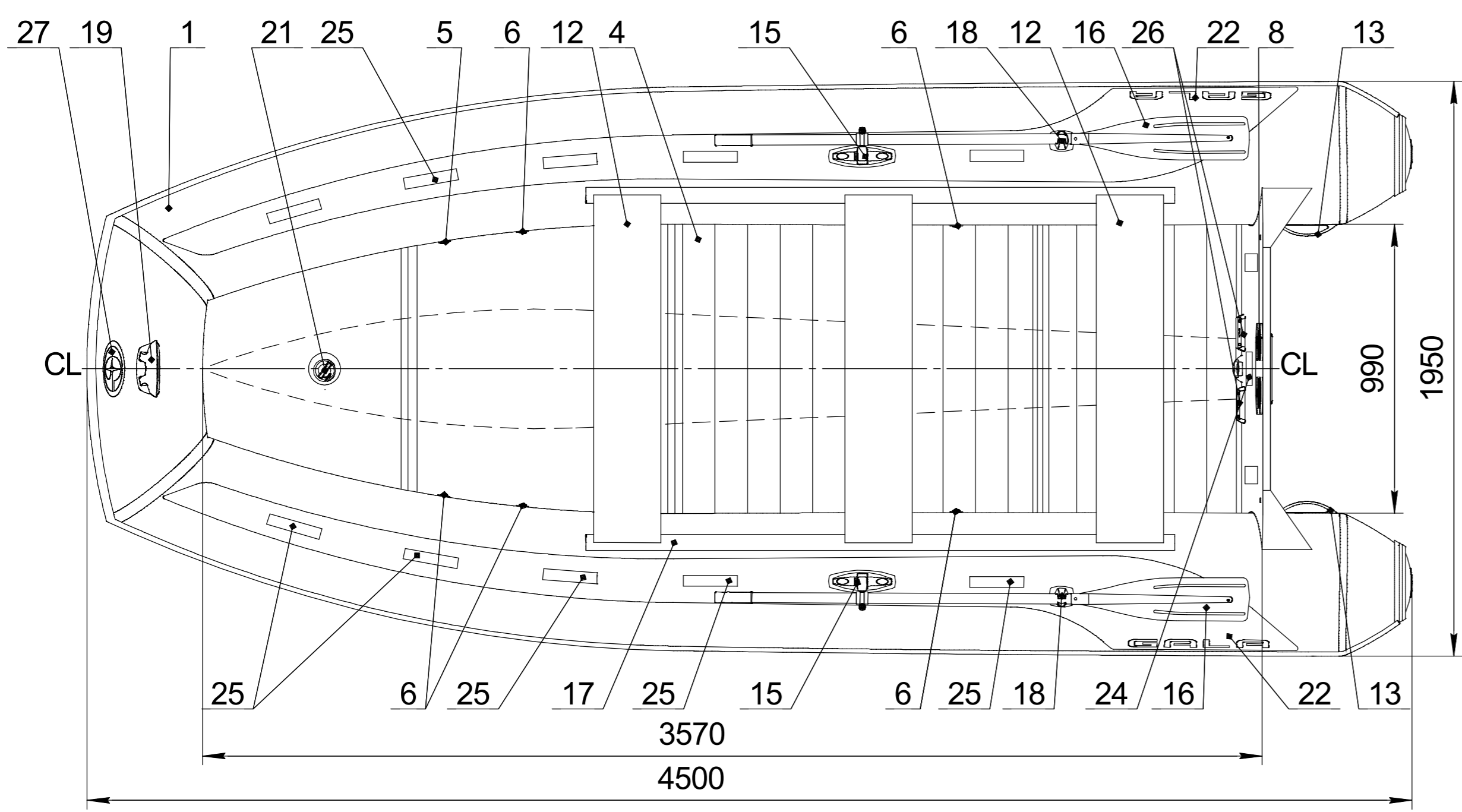
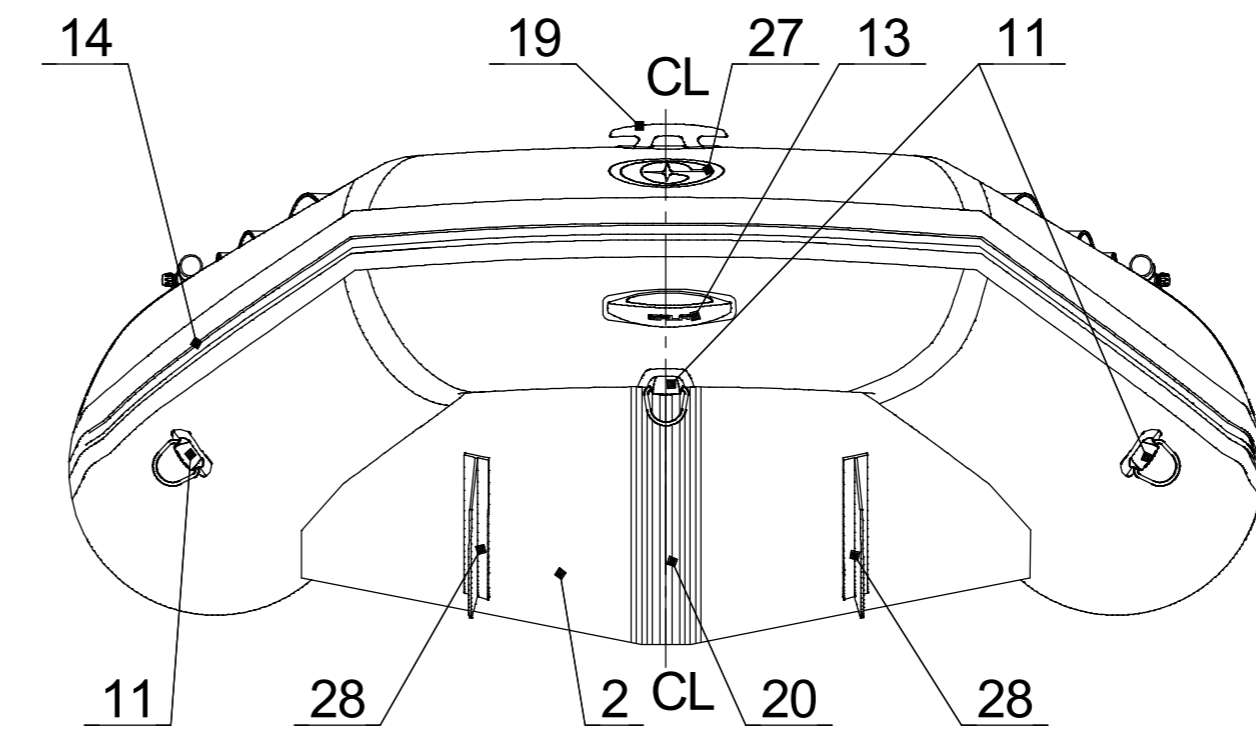
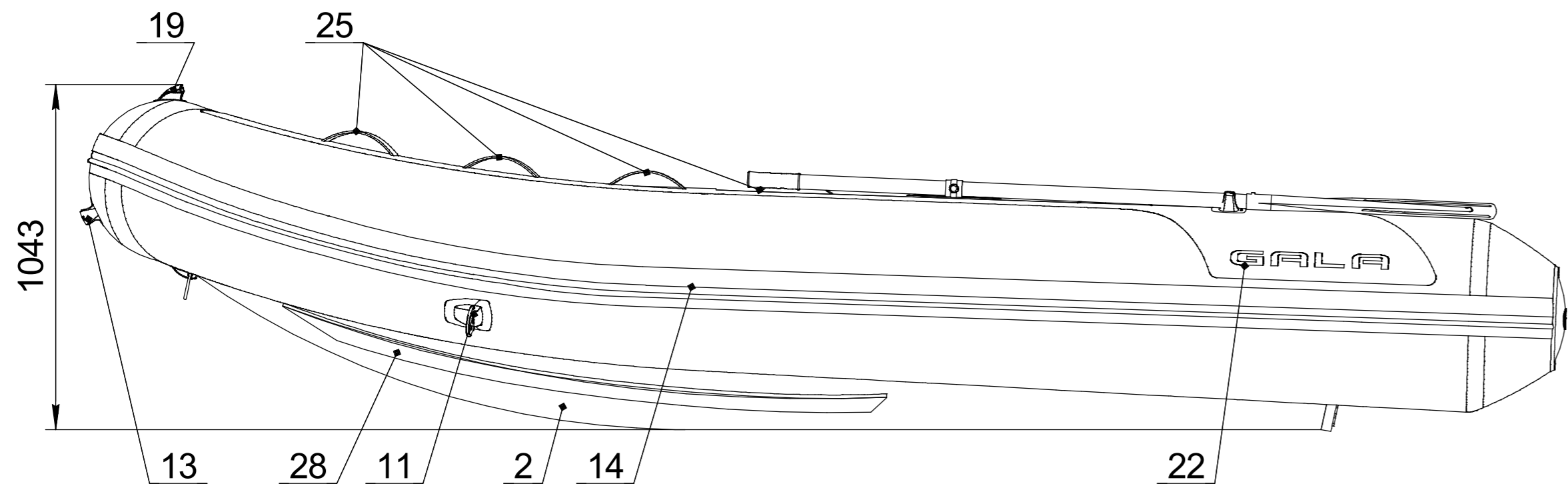
+ + + **1000** kg **2200** lbs

36.8 kW **50** HP Type **VII**

115 kg **253** lbs Cat. **C**

0.2 bar **2.89** psi International Standard ISO/FDIS-6185

MADE IN UKRAINE
 "CALIBR PROF" LLC
4, Matlakhova Str., Dnipro, UKRAINE



Boat specification

Item	Item No	Description	Q-ty	Note
1		Inflatable tube for F450	1	
2		V-shape bottom for F450	1	
3		Integral marine grade ply transom for F450	1	
4		Floorboards set for F450	1	
5		Over pressure valve	1	
6		Inflation-deflation valve	5	
7		Motor plate external	1	
8		Motor plate internal	1	
9		Expanding drain plug	1	
10		Tube end, PVC	2	
11		Towing eye, PVC	3	
12		Aluminum seat	3	
13		GALA handle, PVC	3	
14		Rubbing strake	1	
15		Oarlock	2	
16		Oar 180 cm with rivert	2	
17		Seat holder	2	
18		Oar holder	2	
19		GALA cleat, PVC	1	
20		Keel protector	1	
21		Inflatable keel with inflation-deflation valve	1	
22		GALA logo	2	
23		CIN plate	1	
24		Builder's plate	1	
25		Safety grab handle	10	
26		Floor stop	2	
27		GALA logo front	1	
28		Spay deflecto	2	

NAME	DATE	ITEM No:		
DRAWN				
CHECKED		TITLE:		
ENG APPR.		GALA Freestyle F450		
MFG APPR.				
Q.A.				
PROPRIETARY AND CONFIDENTIAL THE INFORMATION CONTAINED IN THIS DRAWING IS THE SOLE PROPERTY OF CALIBR PROF LLC		SIZE	DWG. NO.	REV
		SCALE: 1:10	WEIGHT:	SHEET 1 OF 1