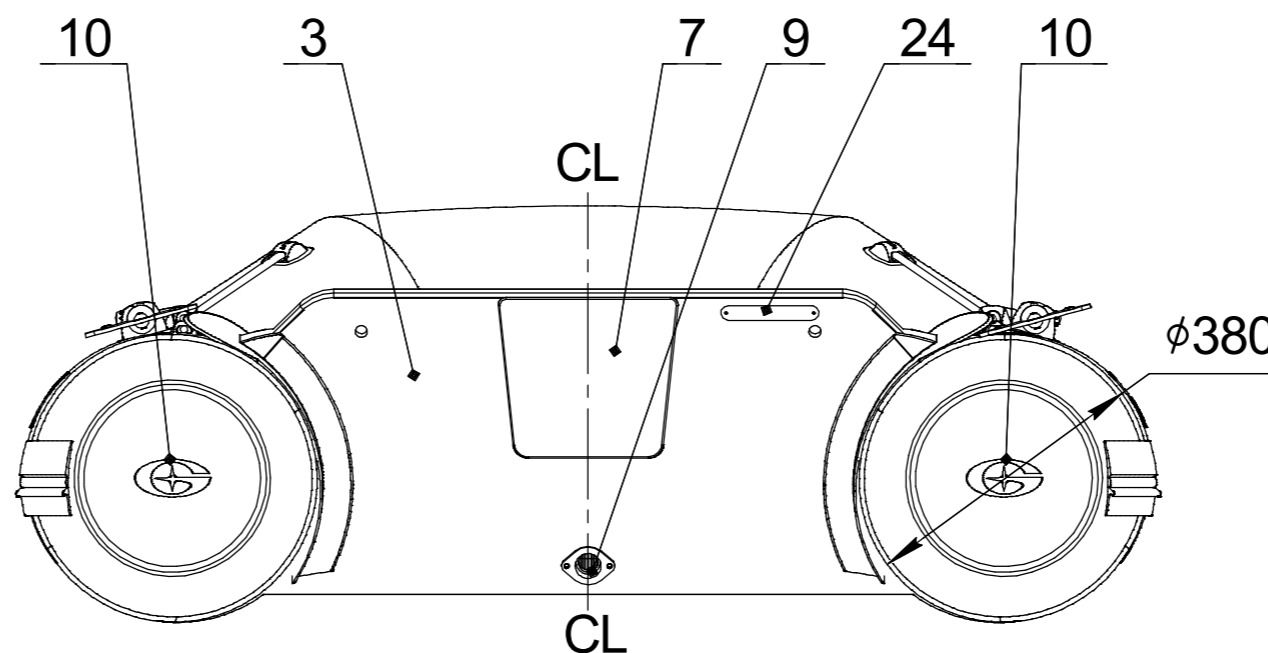
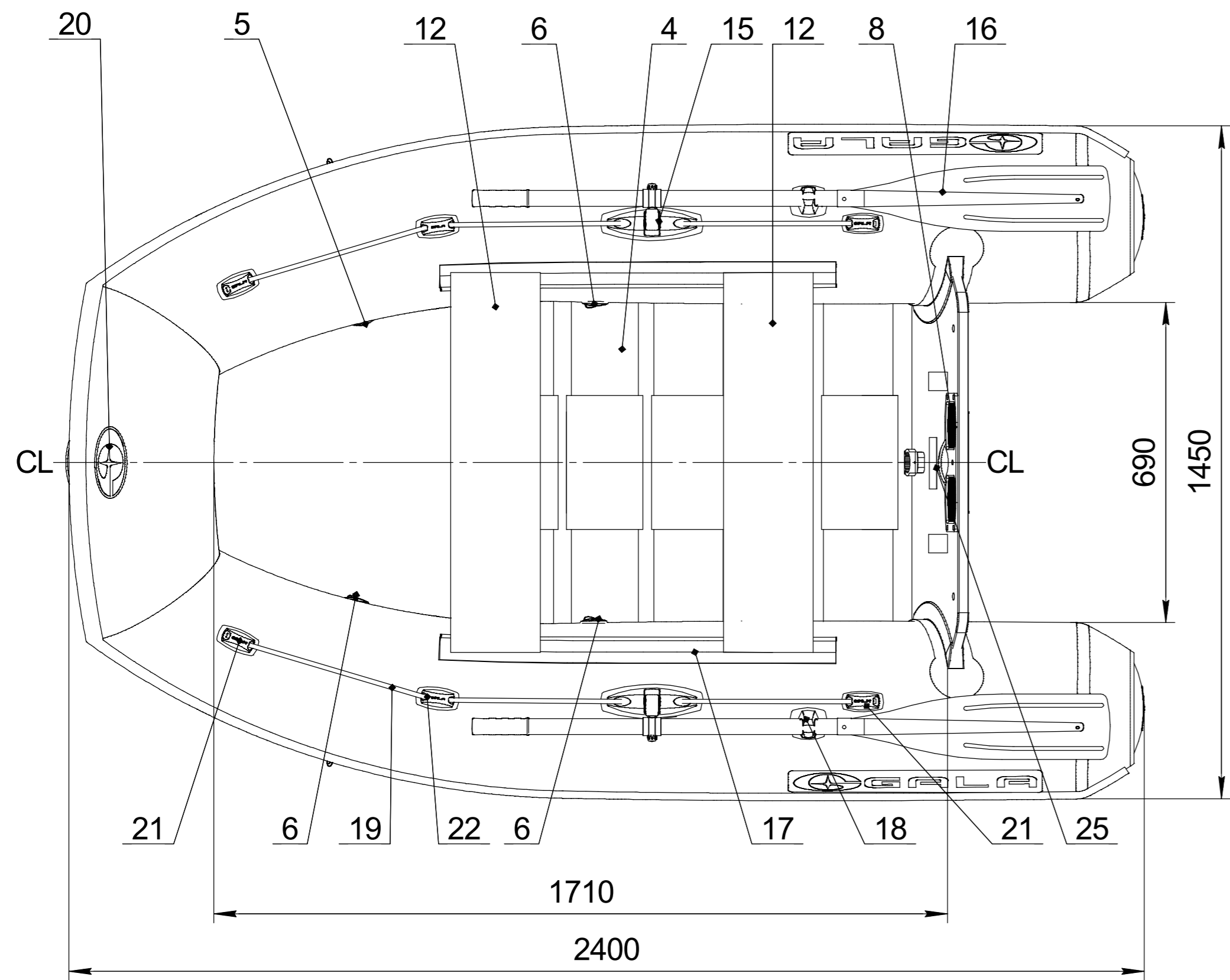
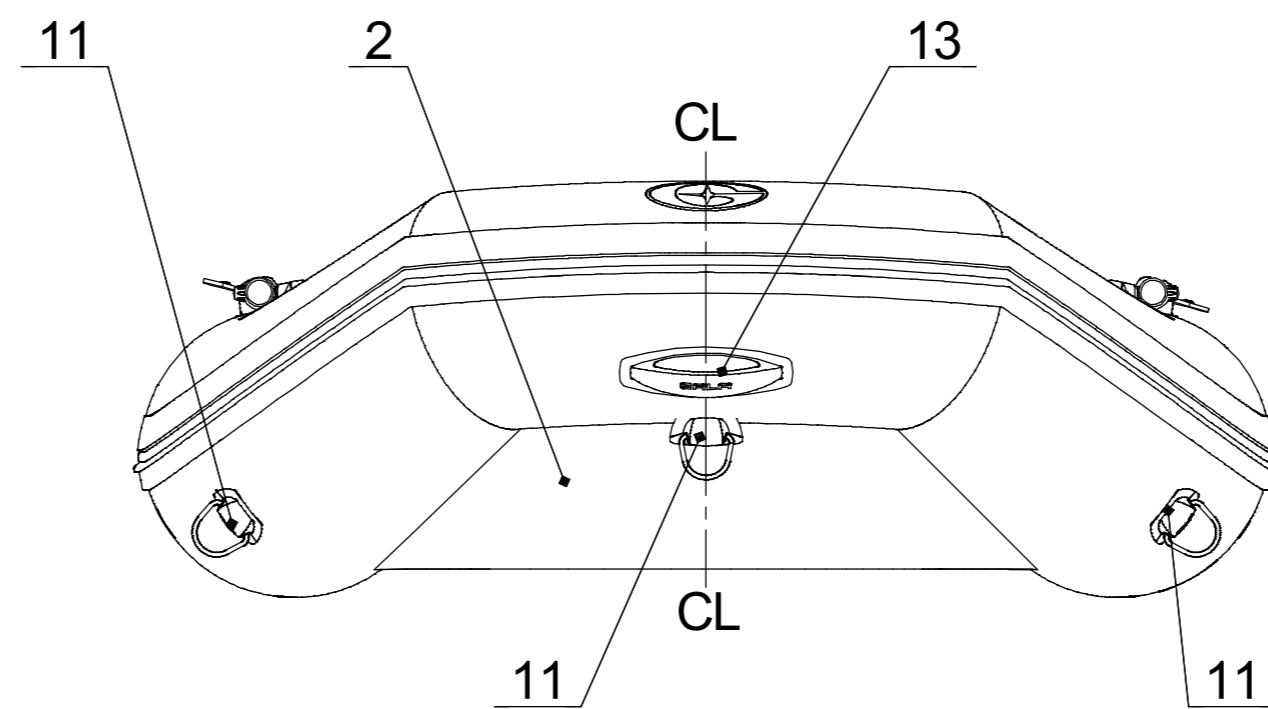
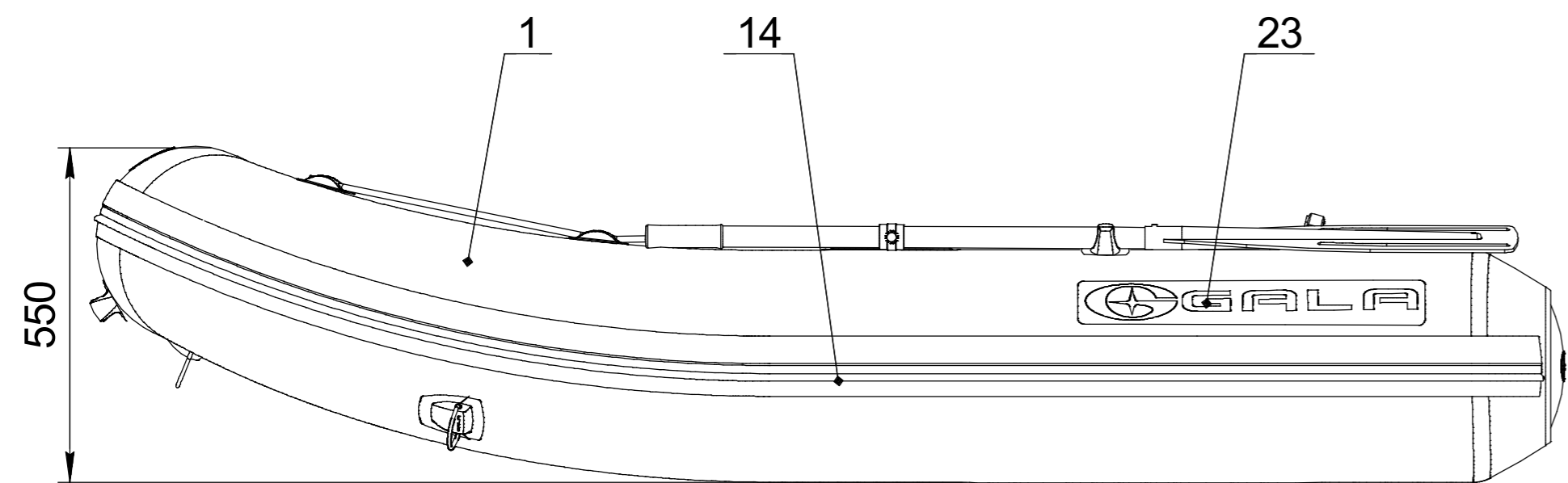


# Inflatable boat GALA Sprinter S240

Technical drawing



## Builder's plate

**GALA**  
INFLATABLE BOATS

Model S240    3 + 1

250 kg    550 lbs

3.7 kW    5 HP    Type II

30 kg    66 lbs    Cat. D

0.2 bar    2.89 psi    International Standard ISO/FDIS-6185

MADE IN UKRAINE  
GALAX GROUP

"CALIBR PROF" LLC  
4, Matlakhova Str., Dnipro, UKRAINE

## Boat specification

Item	Item No	Description	Q-ty	Note
1		Inflatable tube for S240	1	
2		Flat bottom for S240	1	
3		Transom for S240	1	
4		Slatted deck for S240	1	
5		Over pressure valve	1	
6		Inflation-deflation valve	3	
7		Motor plate external	1	
8		Motor plate internal	1	
9		Expanding drain plug	1	
10		Tube end, PVC	2	
11		Towing eye, PVC	3	
12		Seat	2	
13		GALA handle, PVC	1	
14		Rubbing strake	1	
15		Oarlock	2	
16		Oar 140cm with rivert	2	
17		Seat holder	2	
18		Oar holder	2	
19		Lifeline	2	
20		GALA logo front	1	
21		Lifeline holder end	4	
22		Lifeline holder pass through	2	
23		GALA logo	2	
24		CIN plate	1	
25		Builder's plate	1	
26				
27				

NAME	DATE	ITEM No:
DRAWN		
CHECKED		TITLE:
ENG APPR.		<b>GALA Sprinter S240</b>
MFG APPR.		
Q.A.		
PROPRIETARY AND CONFIDENTIAL THE INFORMATION CONTAINED IN THIS DRAWING IS THE SOLE PROPERTY OF CALIBR PROF LLC		
SIZE	DWG. NO.	REV
SCALE: 1:10	WEIGHT:	SHEET 1 OF 1