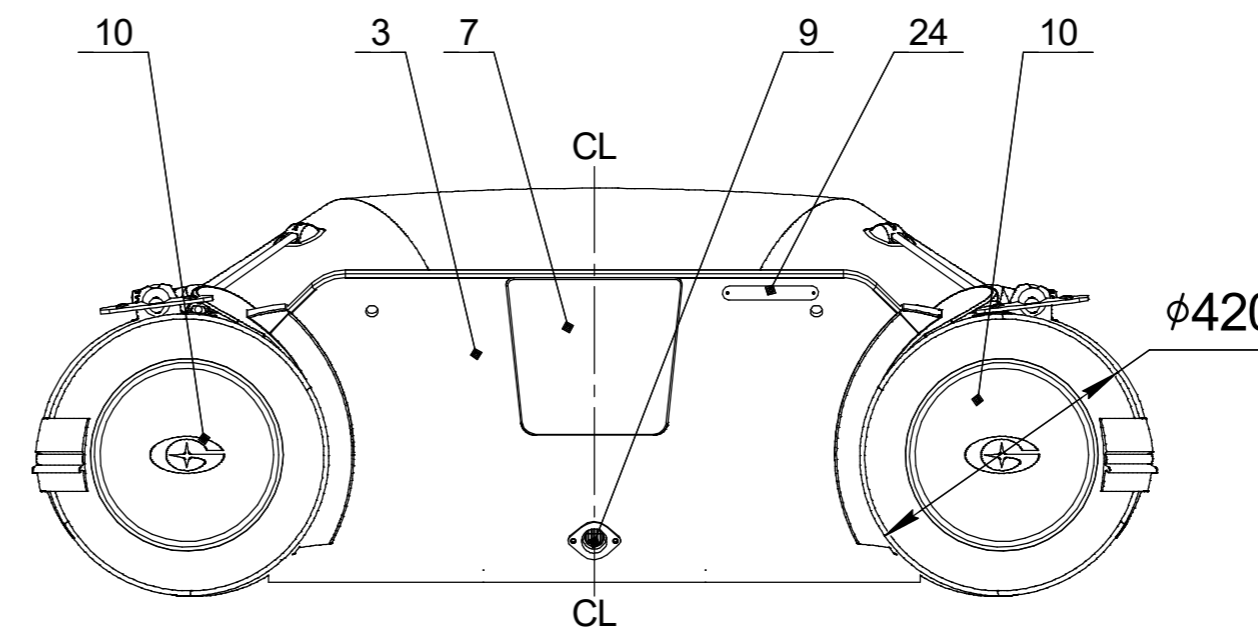
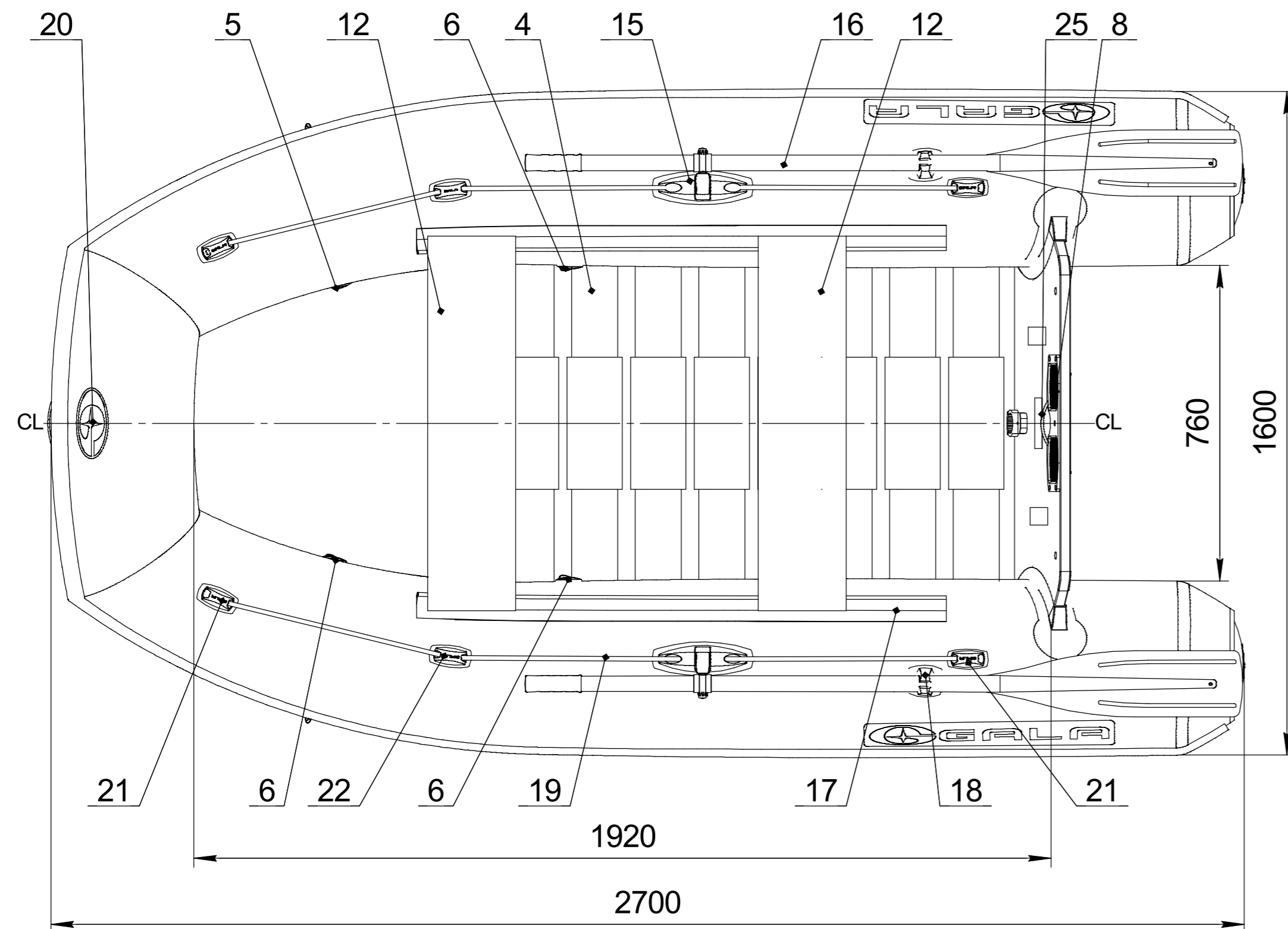
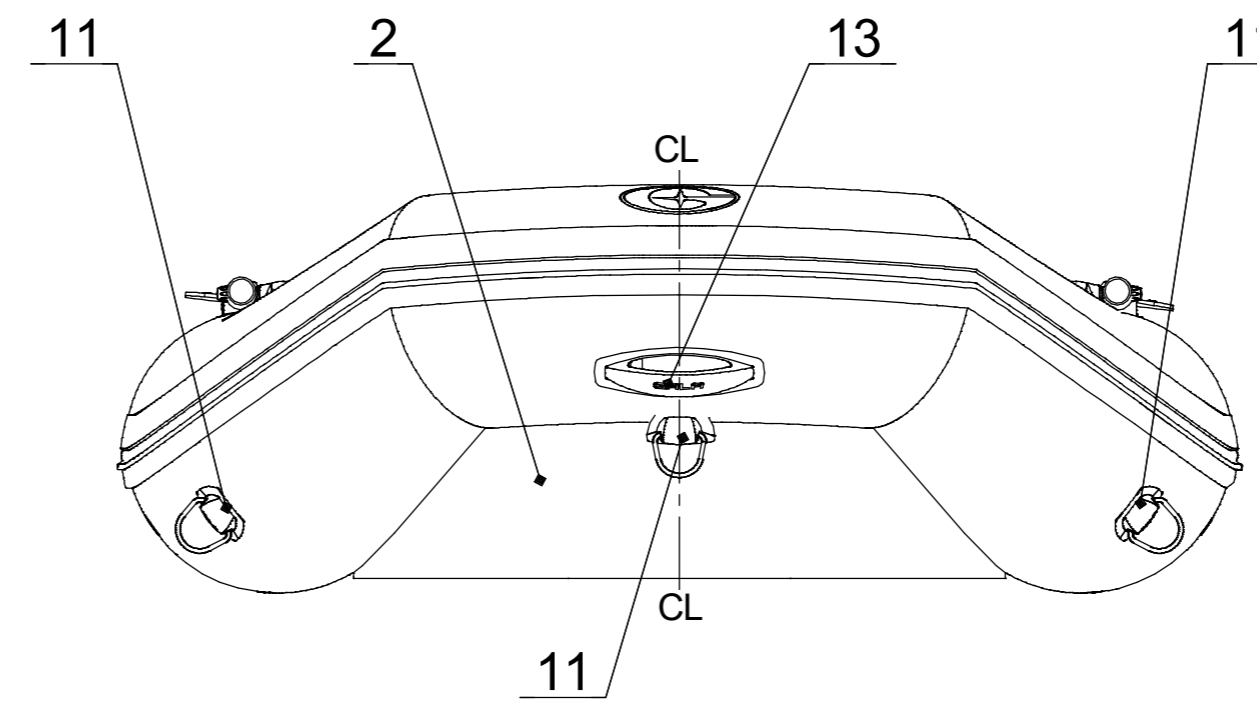
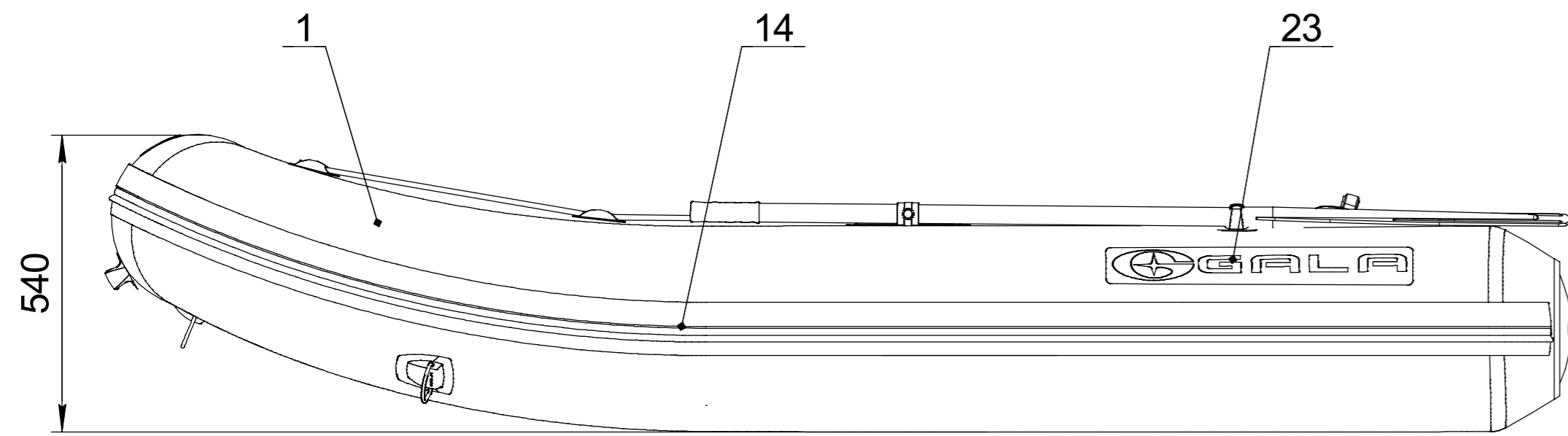


# Inflatable boat GALA Sprinter S270

## Technical drawing



## Builder's plate

**GALA**  
INFLATABLE BOATS

Model **S270**    **3** + **1**

**300** kg    **660** lbs

**7.4** kW    **10** HP    Type **V**

**45** kg    **99** lbs    Cat. **D**

**0.2** bar    **2.89** psi    International Standard ISO/FDIS-6185

MADE IN UKRAINE  
 "CALIBR PROFI" LLC  
4, Matlahova Str., Dnipro, UKRAINE

## Boat specification

| Item | Item No | Description                  | Q-ty | Note |
|------|---------|------------------------------|------|------|
| 1    |         | Inflatable tube for S270     | 1    |      |
| 2    |         | Flat bottom for S270         | 1    |      |
| 3    |         | Transom for S270             | 1    |      |
| 4    |         | Slatted deck for S270        | 1    |      |
| 5    |         | Over pressure valve          | 1    |      |
| 6    |         | Inflation-deflation valve    | 3    |      |
| 7    |         | Motor plate external         | 1    |      |
| 8    |         | Motor plate internal         | 1    |      |
| 9    |         | Expanding drain plug         | 1    |      |
| 10   |         | Tube end, PVC                | 2    |      |
| 11   |         | Towing eye, PVC              | 3    |      |
| 12   |         | Seat                         | 2    |      |
| 13   |         | GALA handle, PVC             | 1    |      |
| 14   |         | Rubbing strake               | 1    |      |
| 15   |         | Oarlock                      | 2    |      |
| 16   |         | Oar 160cm with rivert        | 2    |      |
| 17   |         | Seat holder                  | 2    |      |
| 18   |         | Oar holder                   | 2    |      |
| 19   |         | Lifeline                     | 2    |      |
| 20   |         | GALA logo front              | 1    |      |
| 21   |         | Lifeline holder end          | 4    |      |
| 22   |         | Lifeline holder pass through | 2    |      |
| 23   |         | GALA logo                    | 2    |      |
| 24   |         | CIN plate                    | 1    |      |
| 25   |         | Builder's plate              | 1    |      |
| 26   |         |                              |      |      |
| 27   |         |                              |      |      |

| NAME   | DATE | ITEM No:                  |          |              |
|--|------|---------------------------|----------|--------------|
| DRAWN  |      |                           |          |              |
| CHECKED  |      | TITLE:                    |          |              |
| ENG APPR.  |      | <b>GALA Sprinter S270</b> |          |              |
| MFG APPR.  |      |                           |          |              |
| Q.A.   |      |                           |          |              |
| PROPRIETARY AND CONFIDENTIAL<br>THE INFORMATION CONTAINED IN<br>THIS DRAWING IS THE SOLE<br>PROPERTY OF CALIBR PROFI LLC |      | SIZE                      | DWG. NO. | REV          |
|  |      | SCALE: 1:10               | WEIGHT:  | SHEET 1 OF 1 |