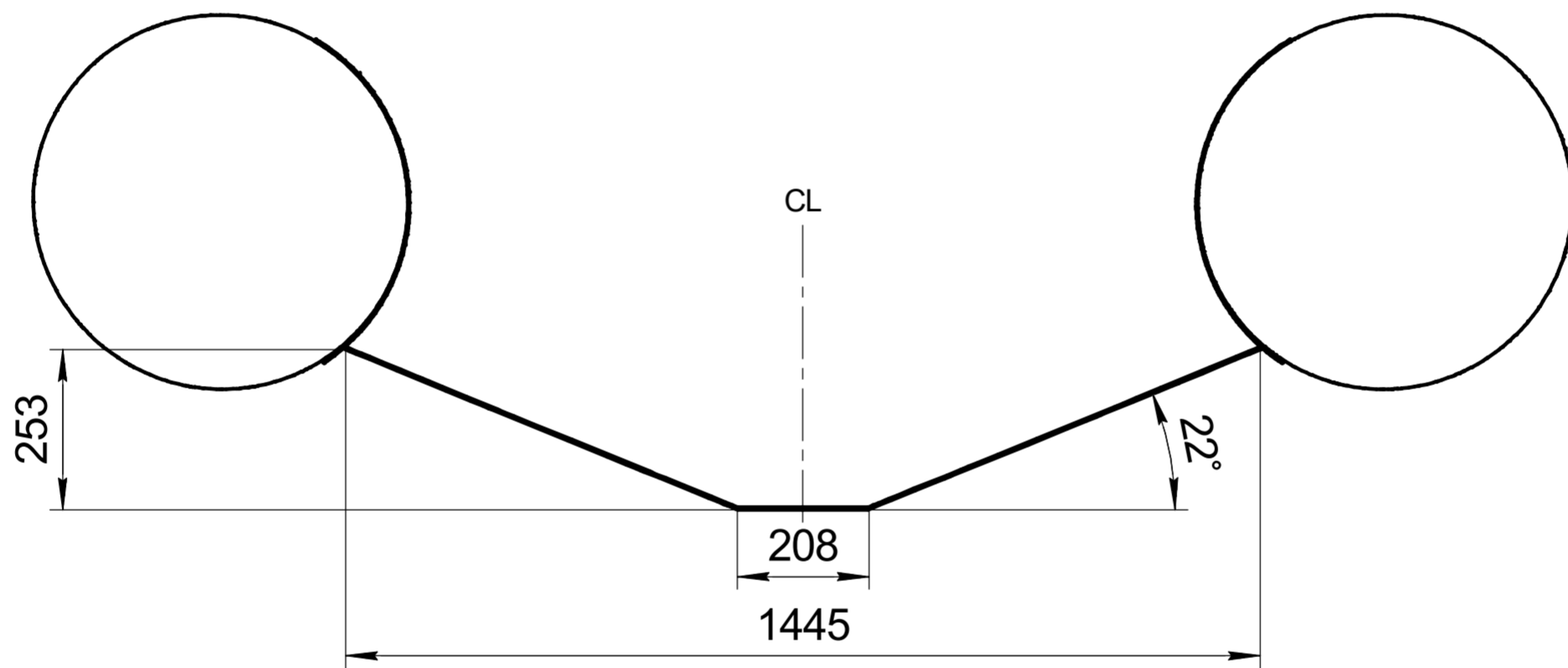
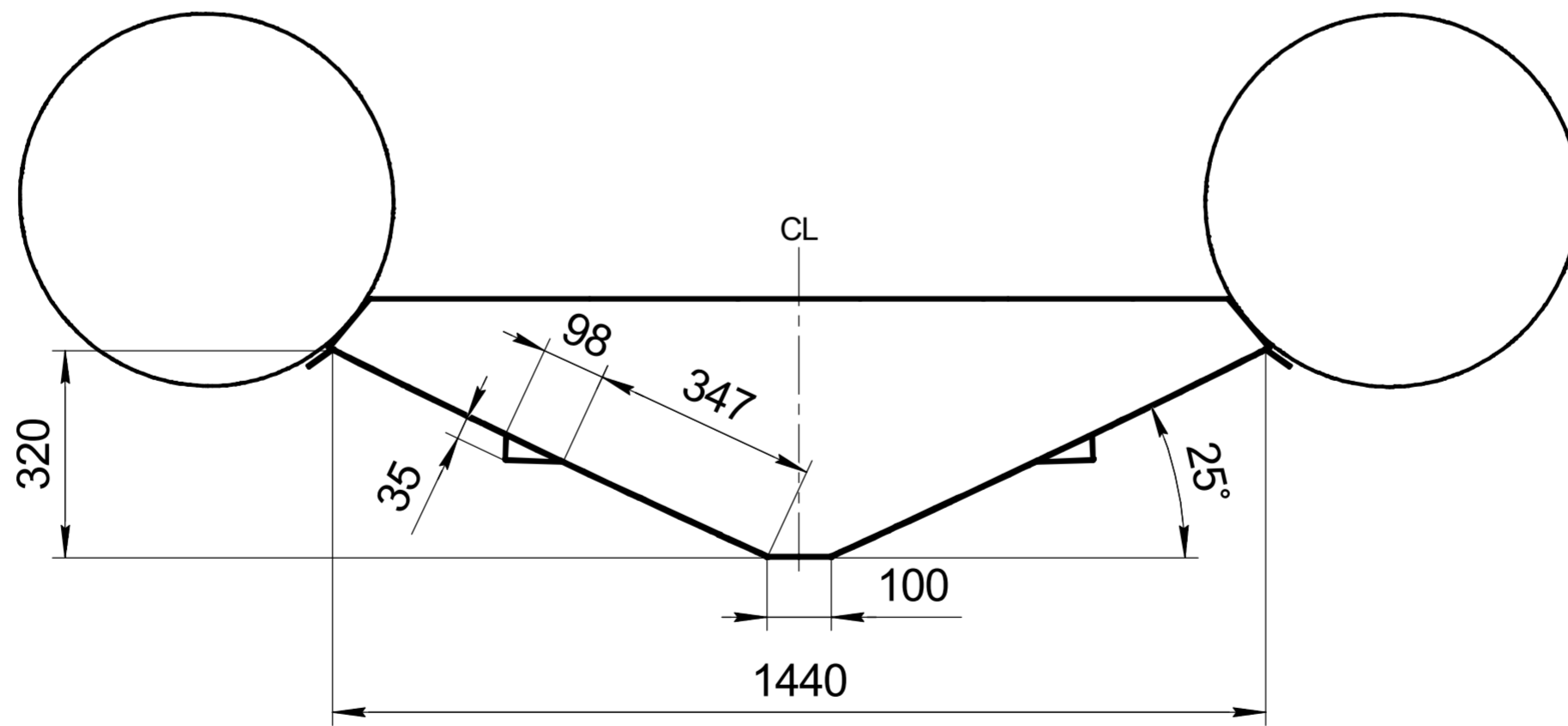


* Dimensions are from the rear edge of the bottom.

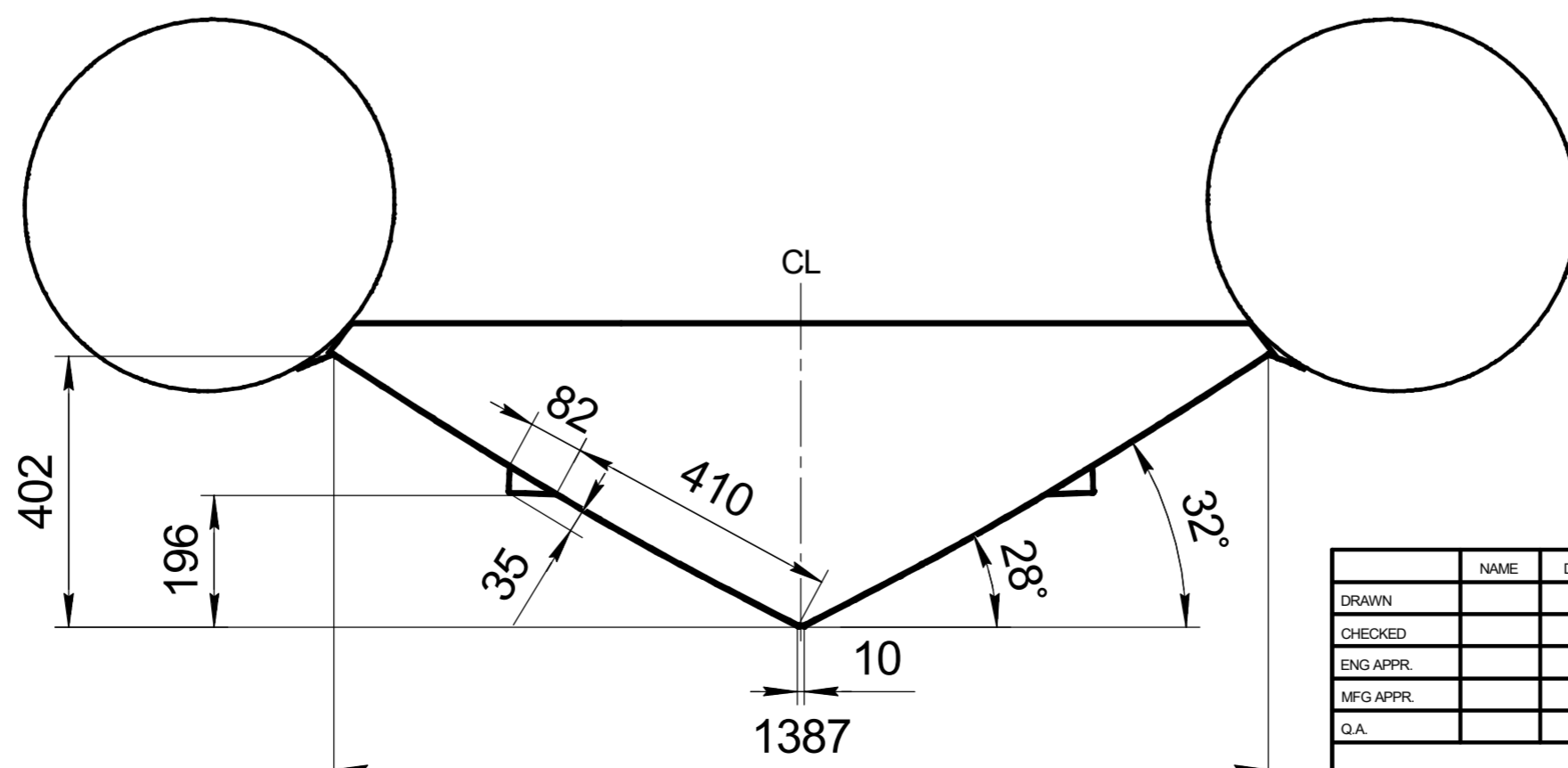
Section A



Section B



Section C



DRAWN	NAME	DATE	ITEM No:
CHECKED			TITLE:
ENG APPR.			GALA Viking V580 Hull sections for chocks design
MFG APPR.			
Q.A.			
<small>PROPRIETARY AND CONFIDENTIAL THE INFORMATION CONTAINED IN THIS DRAWING IS THE SOLE PROPERTY OF CALIBR PROFIT LLC</small>			
<small>SCALE: 1:10</small>			<small>WEIGHT: _____ SHEET 1 OF 1</small>