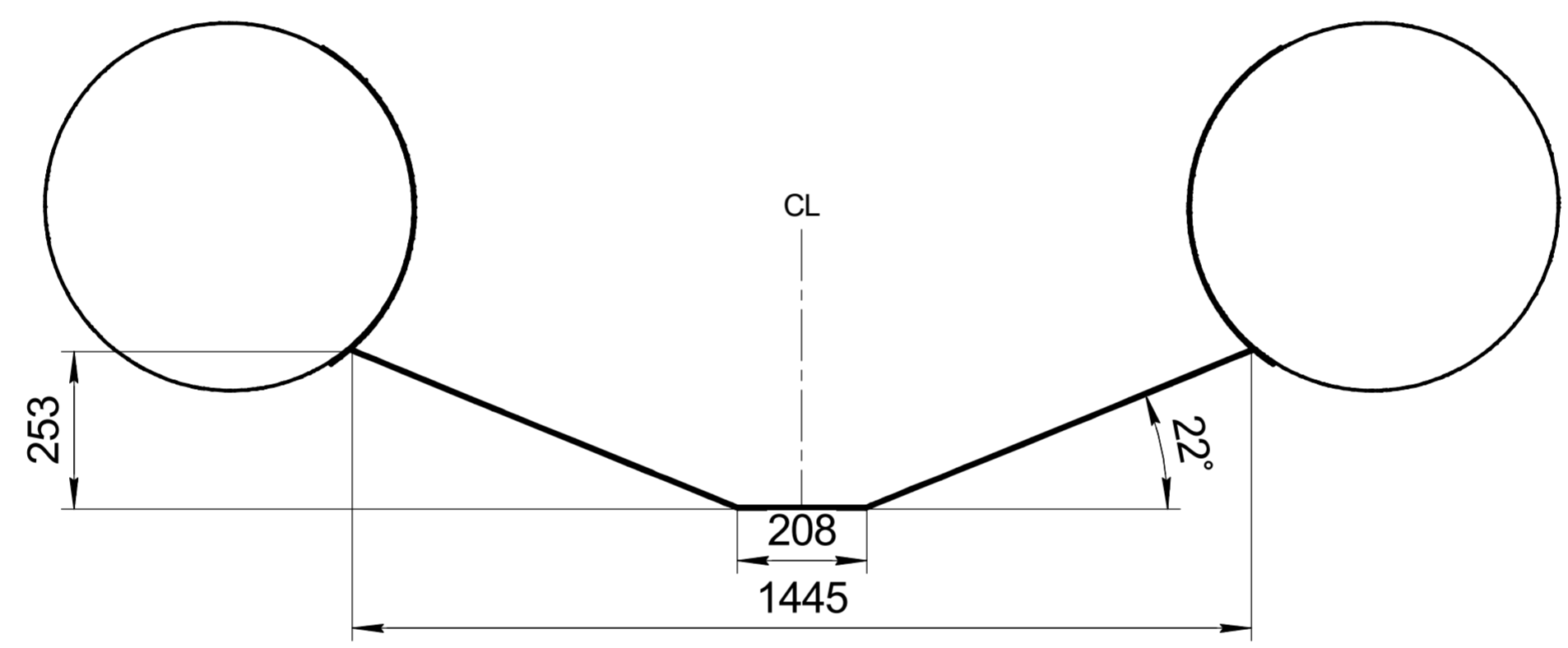
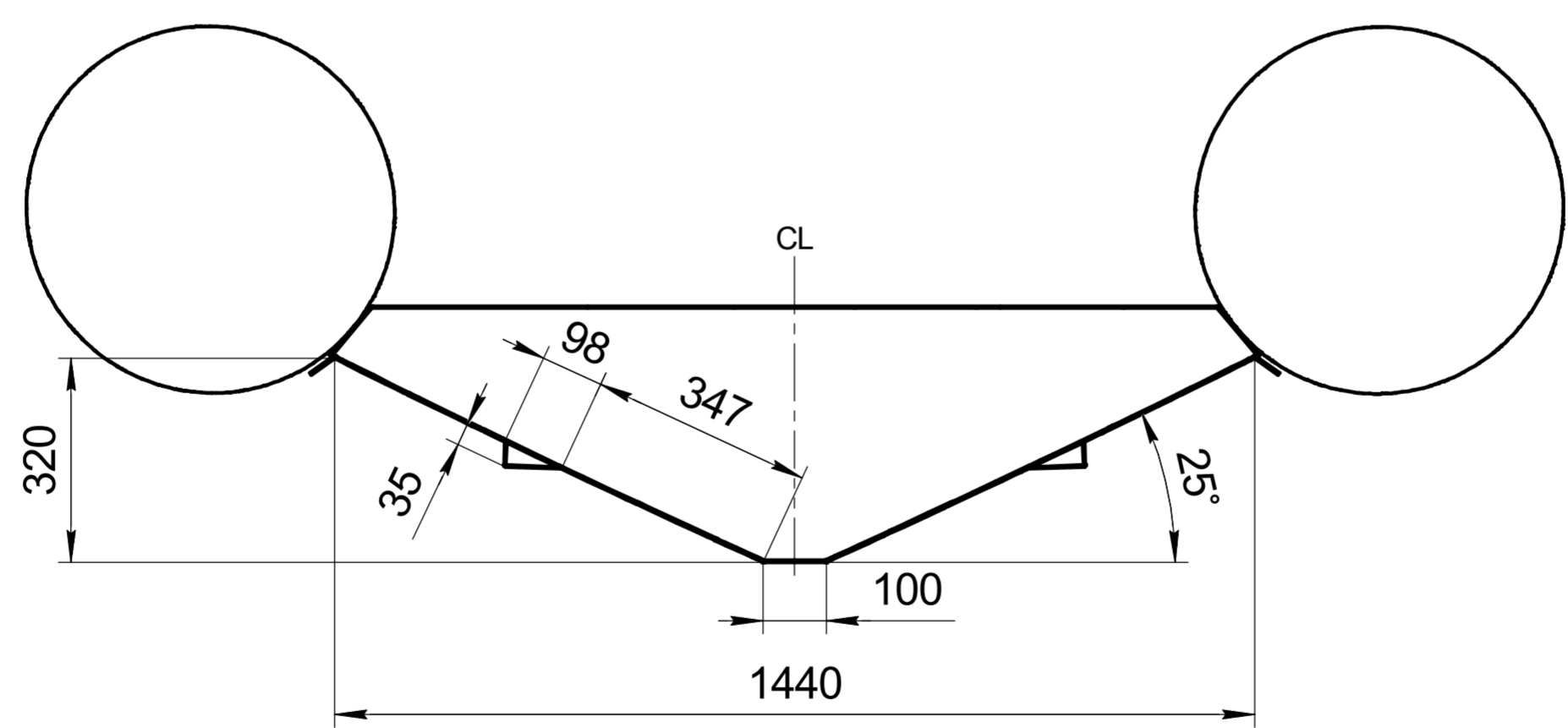


* Dimensions are from the rear edge of the bottom.

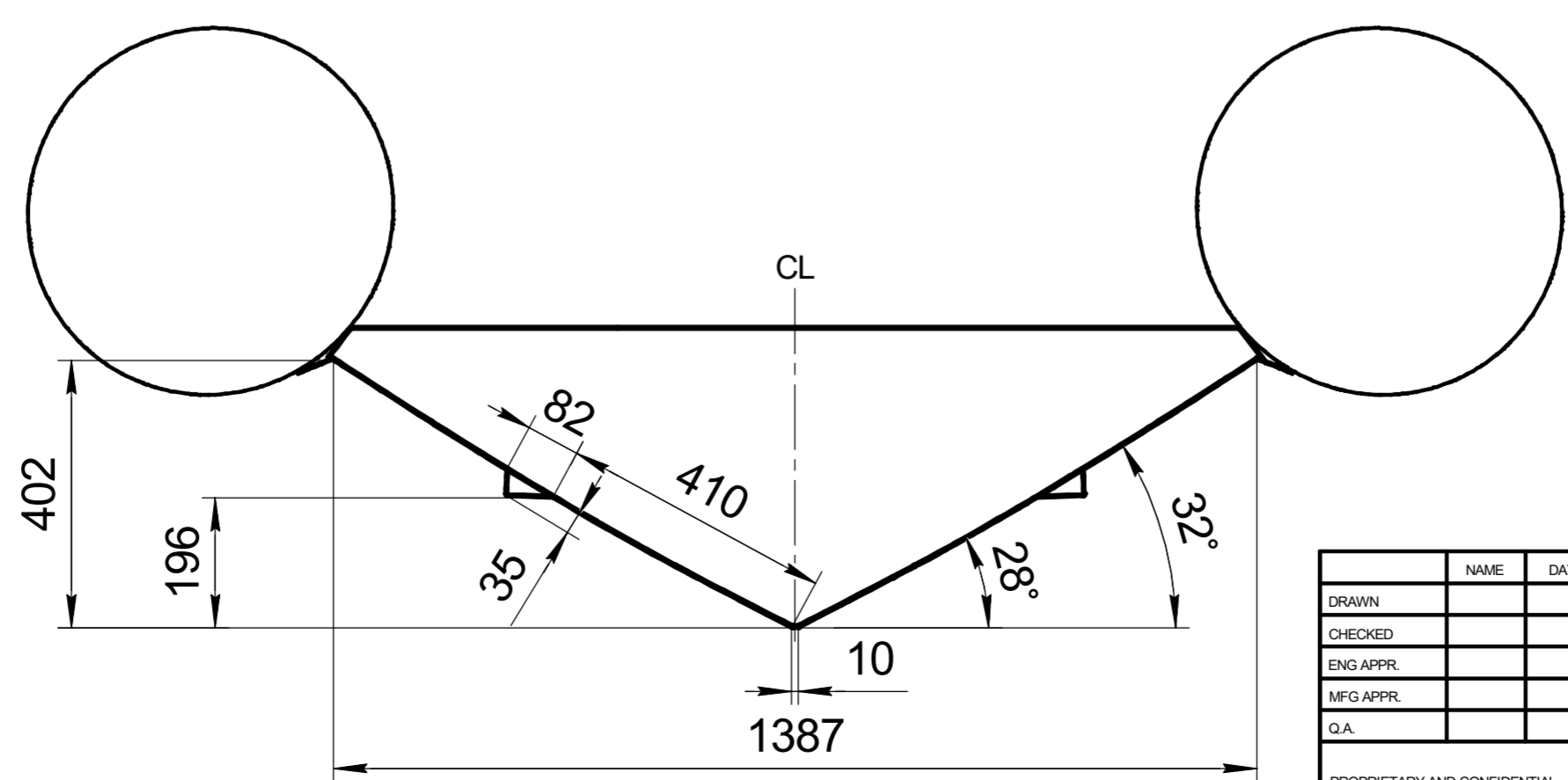
Section A



Section B



Section C



DRAWN	NAME	DATE	ITEM No:
CHECKED			TITLE:
ENG APPR.			GALA Viking V580F Hull sections for chocks design
MFG APPR.			
Q.A.			
PROPRIETARY AND CONFIDENTIAL THE INFORMATION CONTAINED IN THIS DRAWING IS THE SOLE PROPERTY OF CALIBR PROFIT LLC			
SIZE	DWG. NO.	REV	
SCALE: 1:10		WEIGHT:	SHEET 1 OF 1