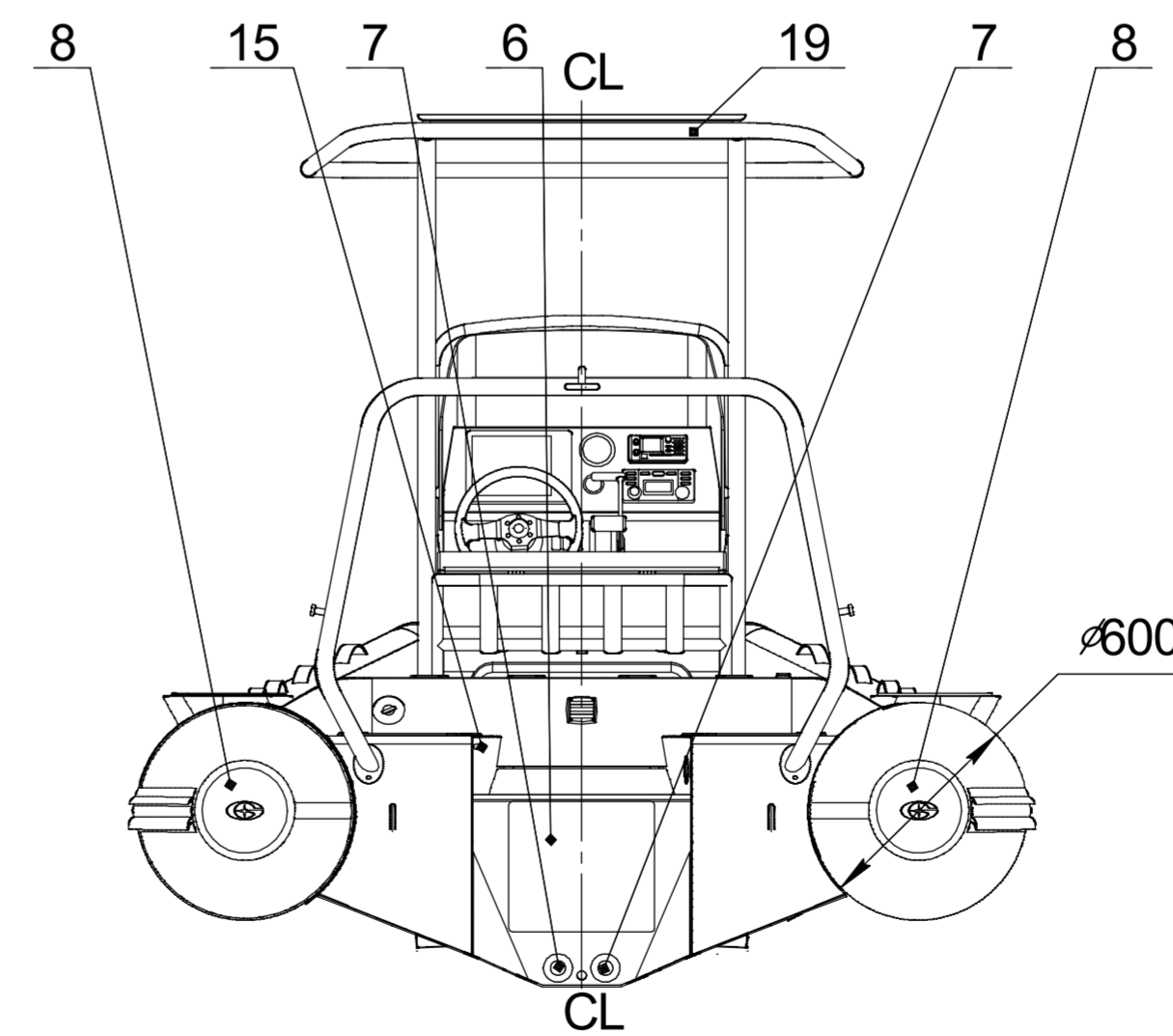
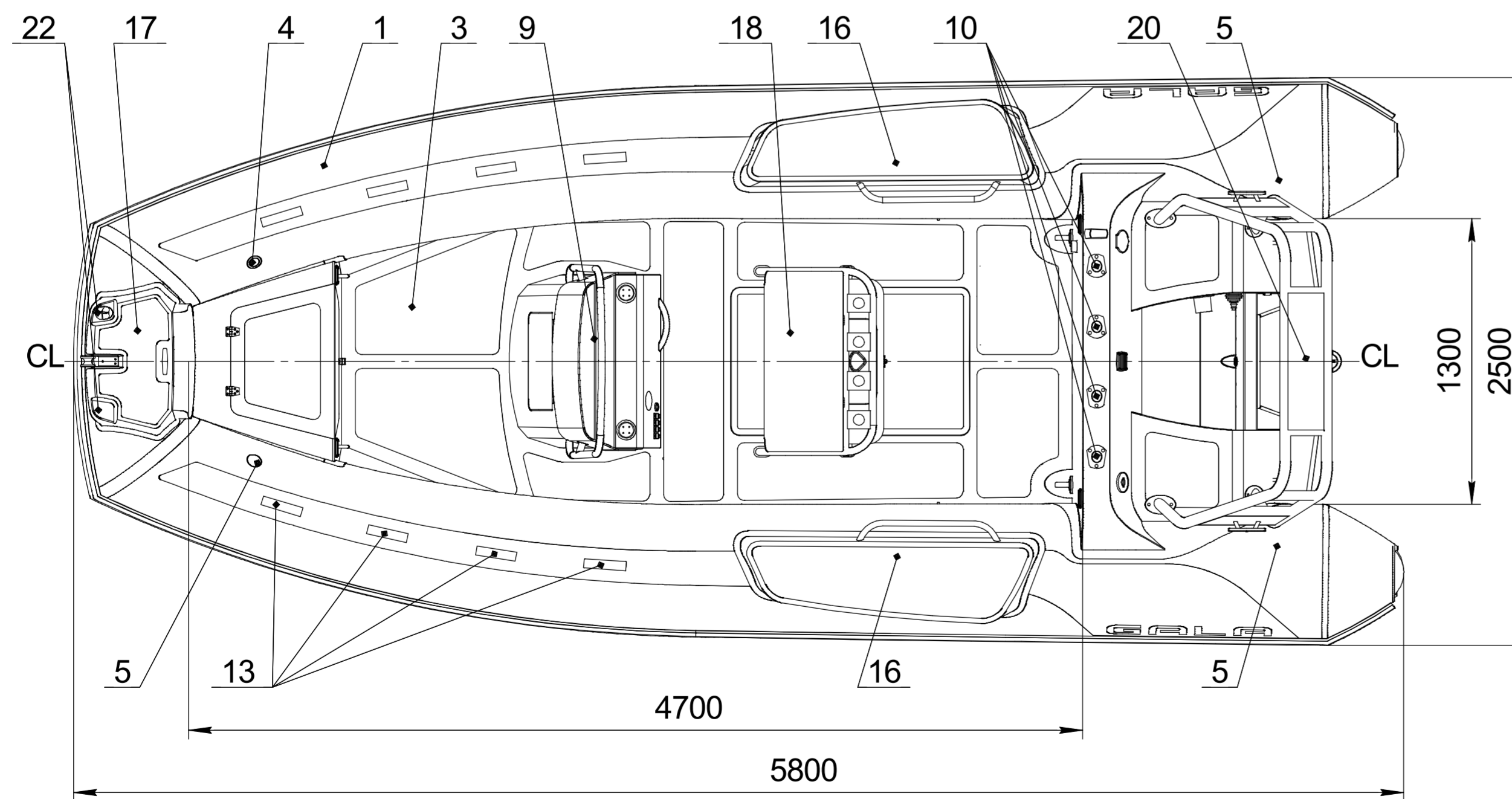
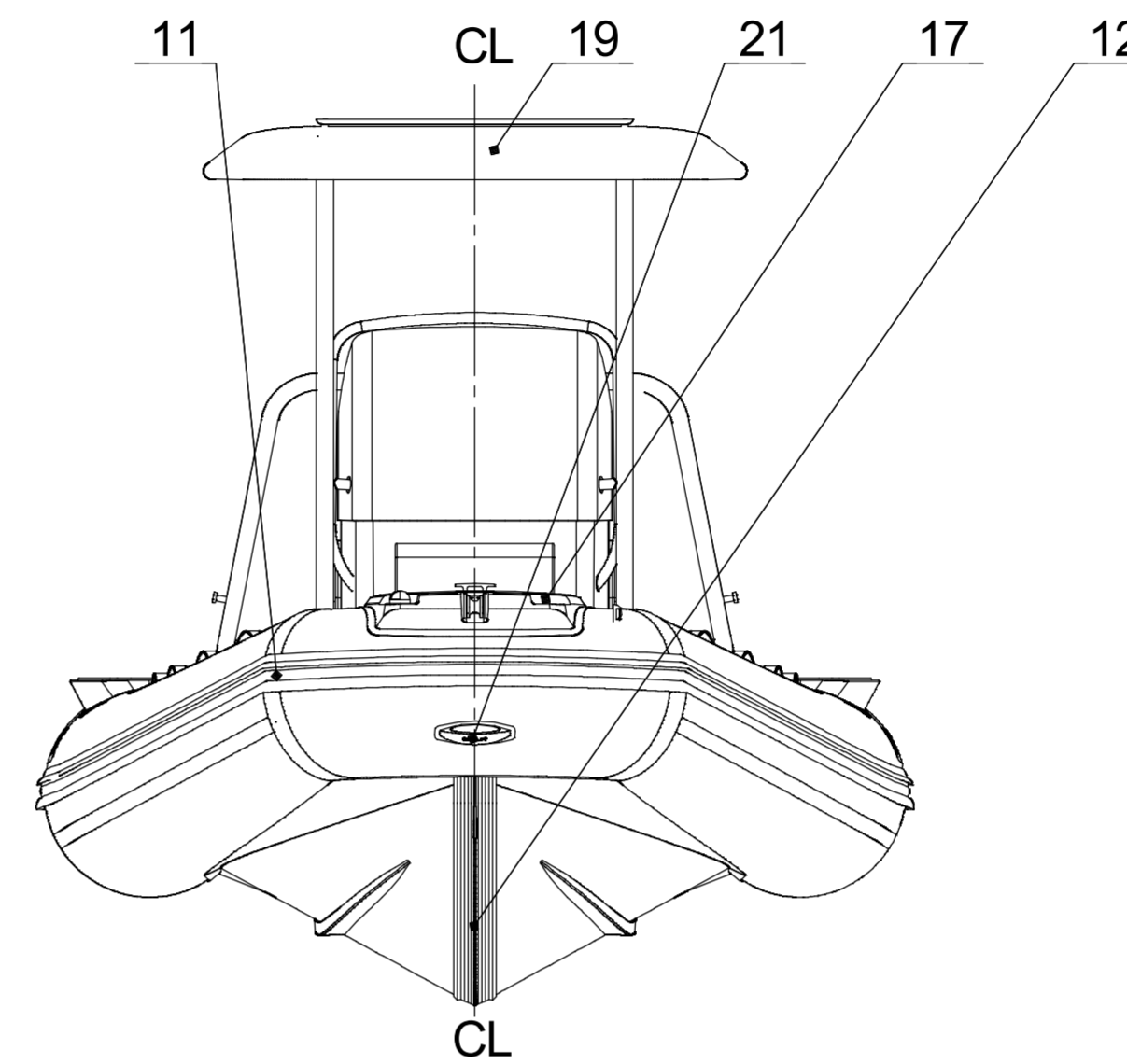
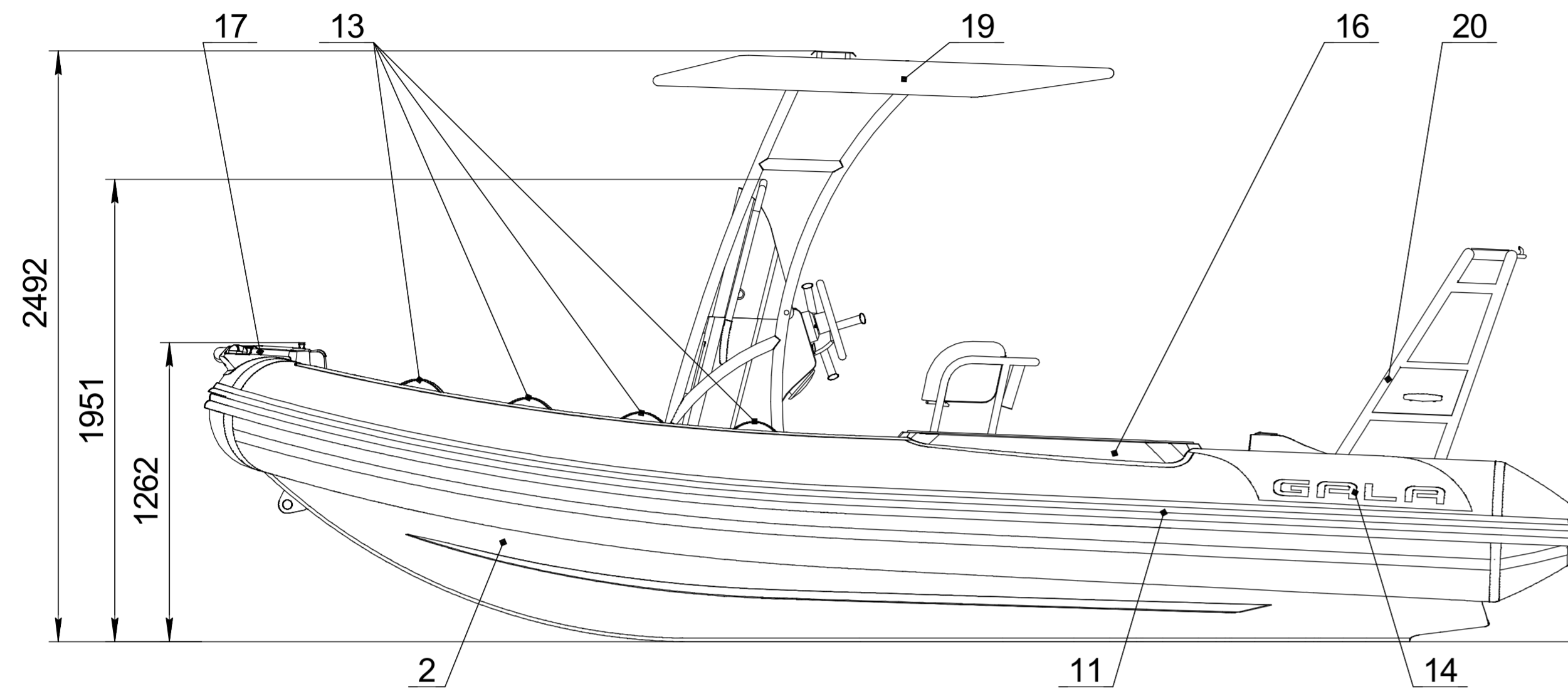


Inflatable boat GALA Viking V580F

Technical drawing



Builder's plate

GALA
INFLATABLE BOATS

Model **V580F** **12** + **1**

1500 kg **3300** lbs

110.3 kW **150** HP Type **VII**

250 kg **550** lbs Cat. **C**

0.2 bar **2.89** psi International Standard ISO/FDIS-8185

MADE IN UKRAINE
"CALIBR PROF" LLC
4, Matlakhova Str., Dnipro, UKRAINE

Boat specification

Item	Item No	Description	Q-ty	Note
1		Inflatable tube for V580F	1	
2		Aluminum hull for V580F	1	
3		Antiskid decking, Seadeck	1	
4		Over-pressure valve	1	
5		Inflation-deflation valve	5	
6		Motor plate external	1	
7		Expanding drain plug	2	
8		Tube end, PVC	2	
9		Steering console C-07	1	
10		Rod holder	1	
11		Rubbing strake	1	
12		Keel protector	1	
13		Safety grab handle	8	
14		GALA logo	2	
15		CIN plate	1	
16		Side step panel №1	2	
17		Bow step plate №4	1	
18		Drivers seat S-06	1	
19		T-Top №2	1	
20		Waterski towing arch №4	1	
21		GALA handle, PVC	1	
22		Navigation lights	2	
23				
24				
25				
26				
27				
28				

DRAWN	NAME	DATE	ITEM No:
CHECKED			TITLE:
ENG APPR.			GALA Viking V580F
MFG APPR.			
Q.A.			
PROPRIETARY AND CONFIDENTIAL THE INFORMATION CONTAINED IN THIS DRAWING IS THE SOLE PROPERTY OF CALIBR PROF LLC			SIZE: _____ DWG. NO: _____ REV: _____
			SCALE: 1:10 WEIGHT: _____ SHEET 1 OF 1