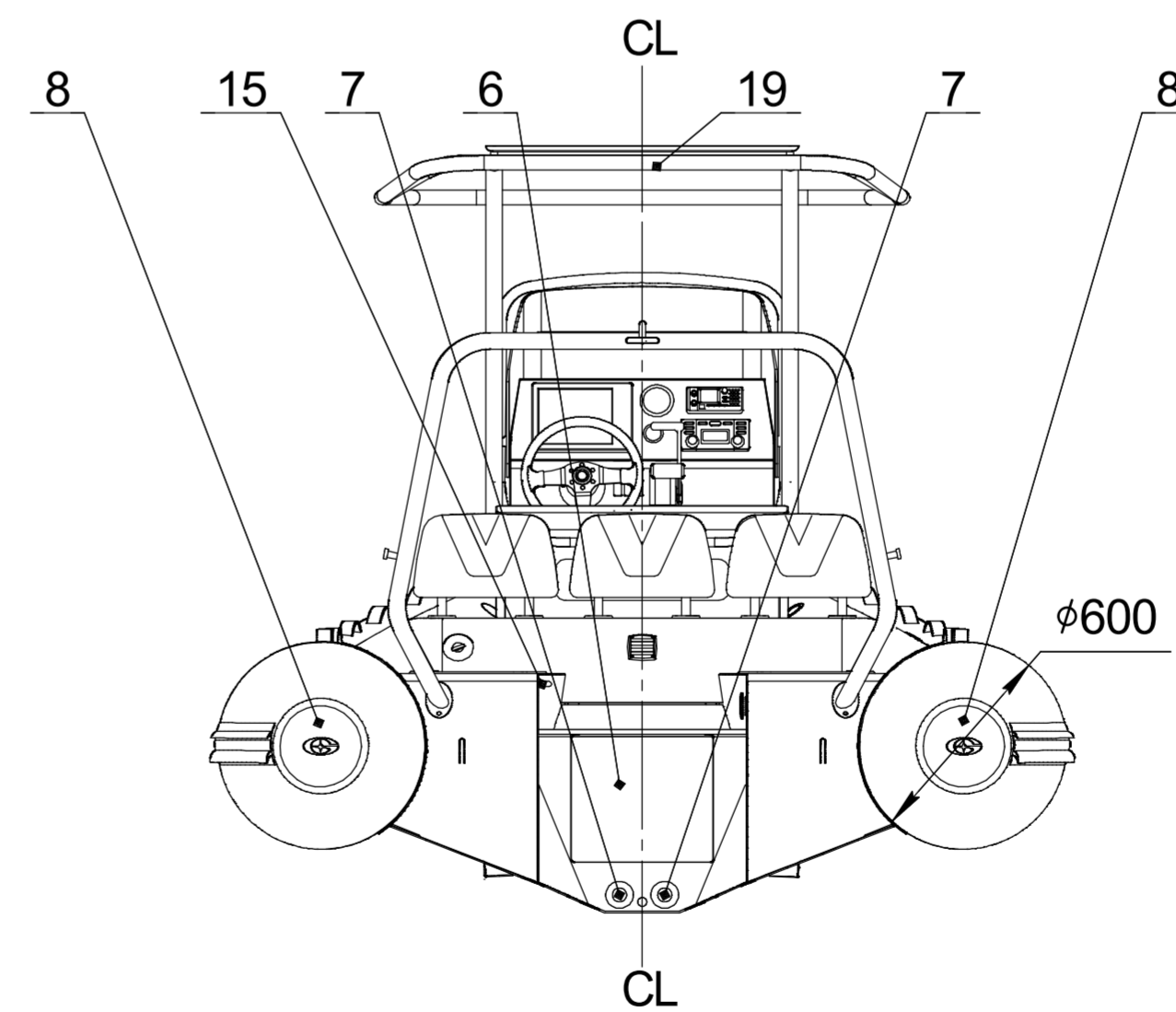
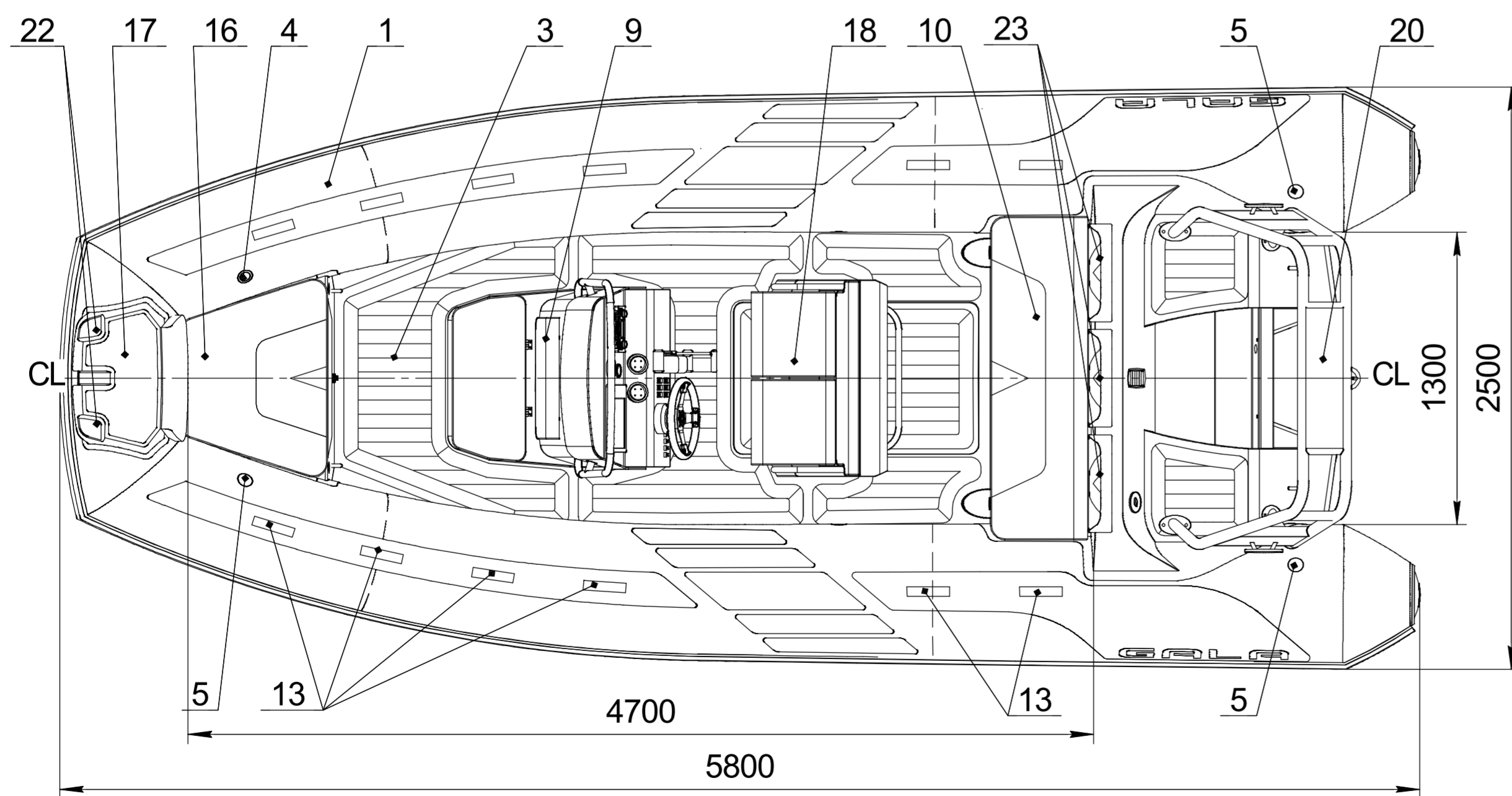
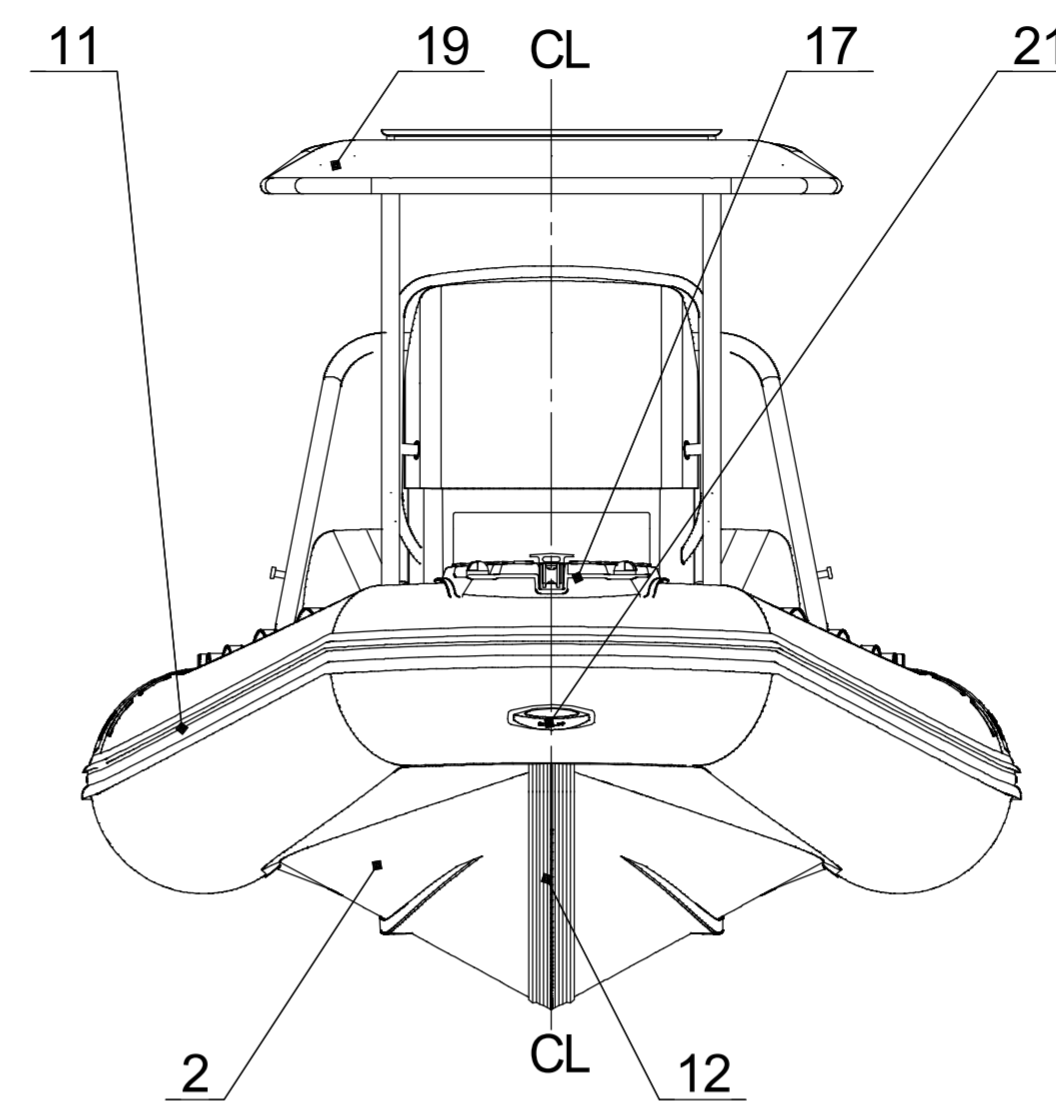
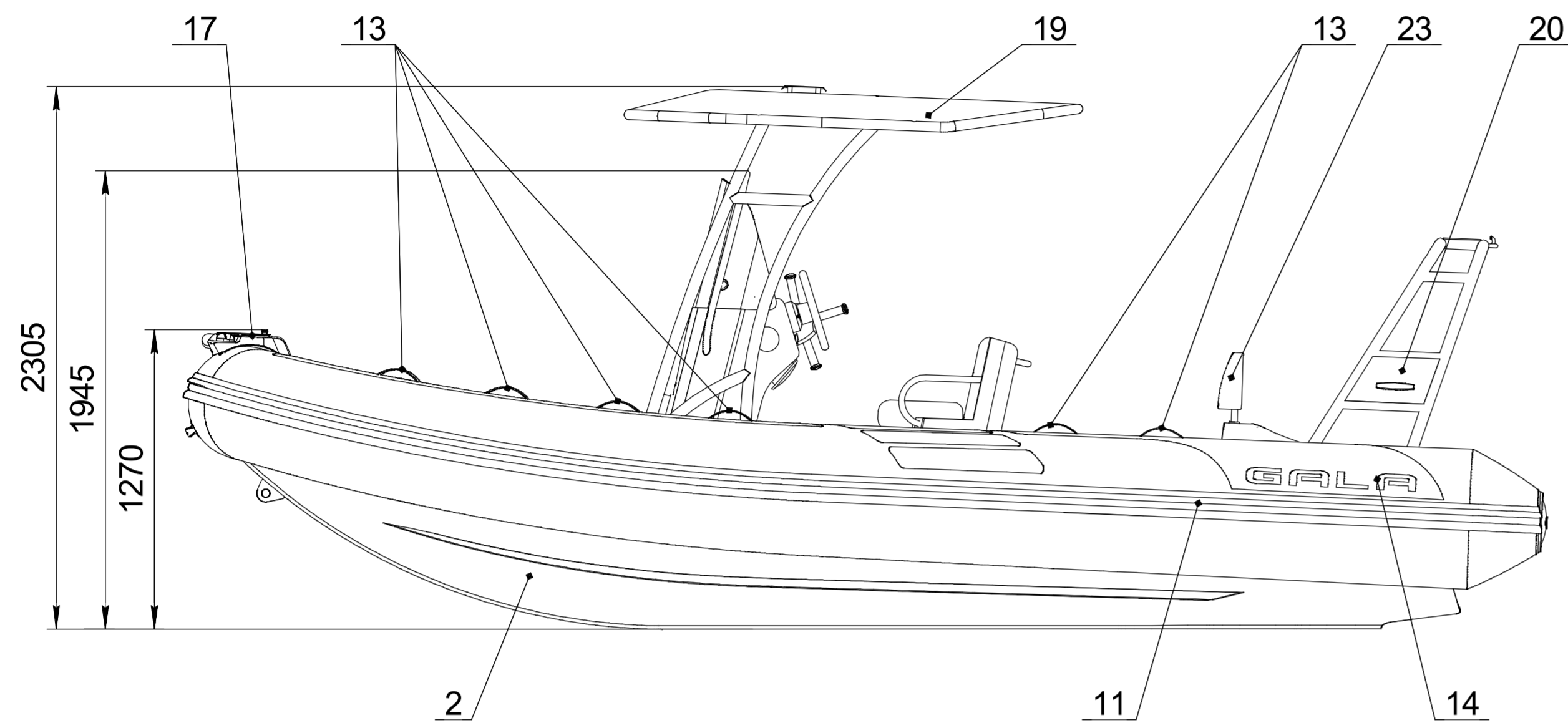


Inflatable boat GALA Viking V580

Technical drawing



Builder's plate

GALA
INFLATABLE BOATS

Model V580 12 + 6

1500 kg 3300 lbs

110.3 kW 150 HP Type VII

250 kg 550 lbs Cat. C

0.2 bar 2.89 psi International Standard ISO/FDIS-6185

MADE IN UKRAINE
SILBEX GROUP

"CALIBR PROF" LLC
4, Matlahova Str., Dnipro, UKRAINE

Boat specification

Item	Item No	Description	Q-ty	Note
1		Inflatable tube for V580	1	
2		Aluminum hull for V580	1	
3		Antiskid decking, Seadeck	1	
4		Over-pressure valve	1	
5		Inflation-deflation valve	5	
6		Motor plate external	1	
7		Expanding drain plug	2	
8		Tube end, PVC	2	
9		Steering console C-06	1	
10		Rear locker soft cushion	1	
11		Rubbing strake	1	
12		Keel protector	1	
13		Safety grab handle	12	
14		GALA logo	2	
15		CIN plate	1	
16		Bow locker cushion	1	
17		Bow step plate №4	1	
18		Drivers seat S-05	1	
19		T-Top №2	1	
20		Waterski towing arch №4	1	
21		GALA handle, PVC	1	
22		Navigation lights	2	
23		Seat back	3	
24				
25				
26				
27				
28				

DRAWN	NAME	DATE	ITEM No:
CHECKED			TITLE:
ENG APPR.			GALA Viking V580
MFG APPR.			
Q.A.			
PROPRIETARY AND CONFIDENTIAL THE INFORMATION CONTAINED IN THIS DRAWING IS THE SOLE PROPERTY OF CALIBR PROF LLC		SIZE	DWG. NO.
		SCALE: 1:10	WEIGHT:
			REV
			SHEET 1 OF 1