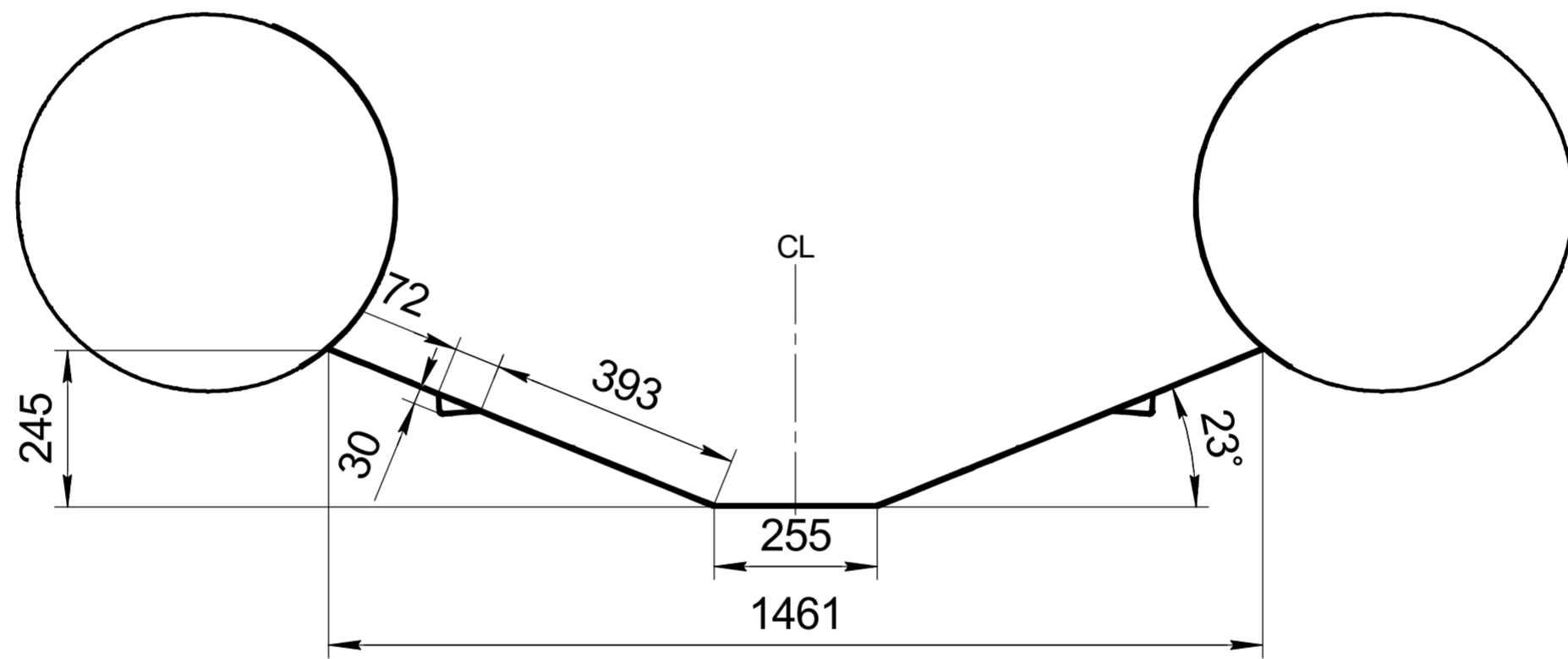
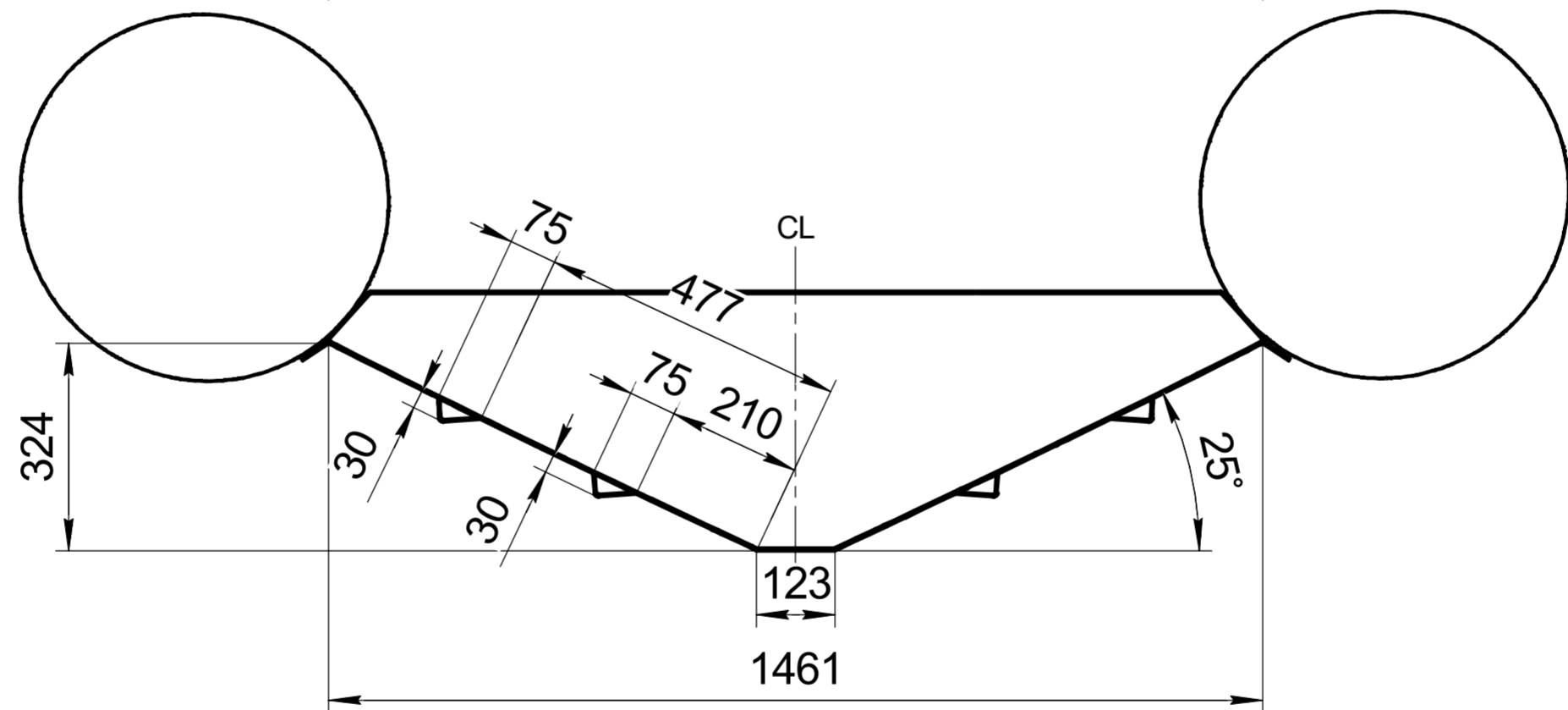


\* Dimensions are from the rear edge of the bottom.

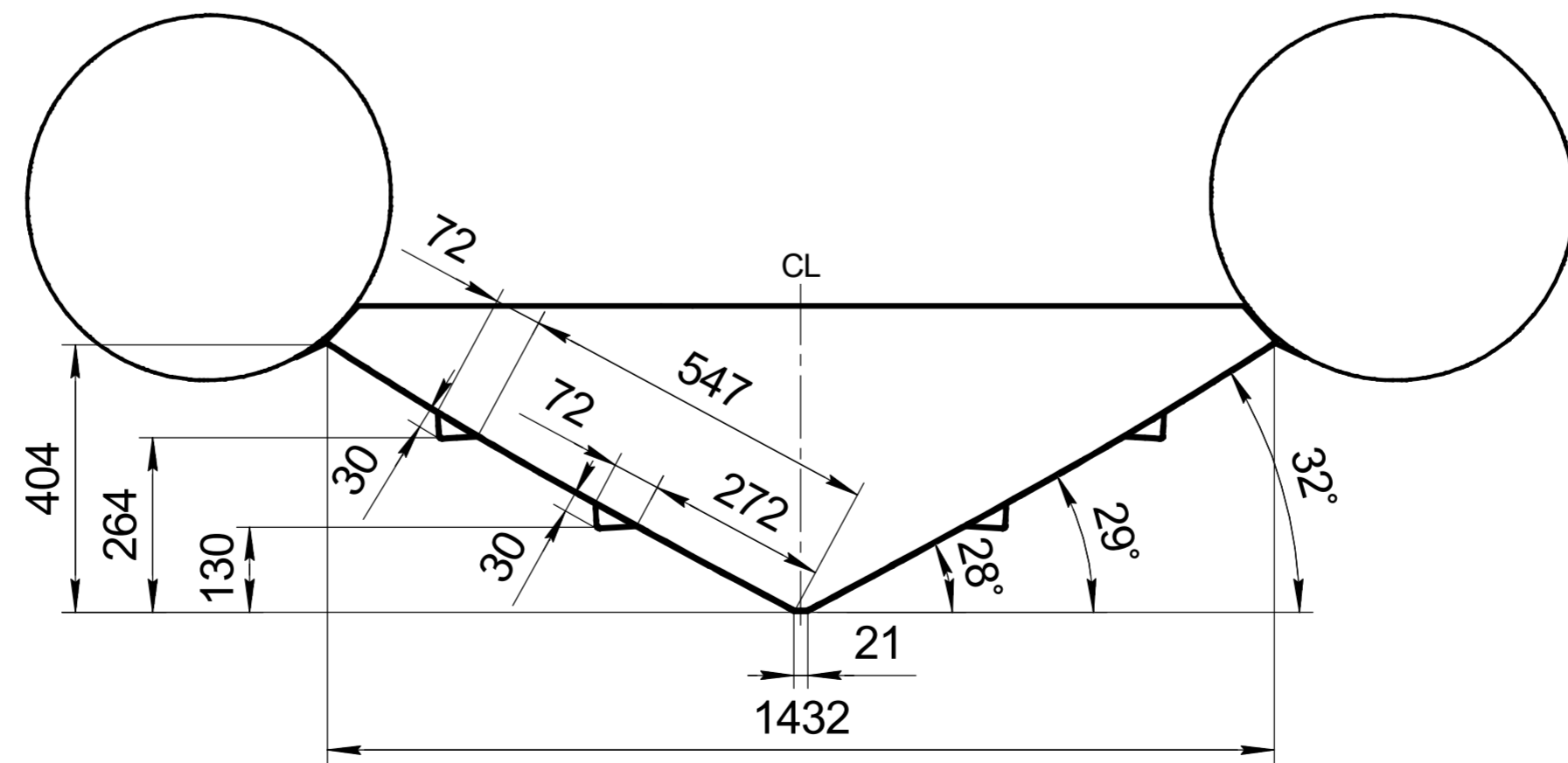
Section A



Section B



Section C



	NAME	DATE	ITEM No:
DRAWN			
CHECKED			TITLE:
ENG APPR.			GALA Viking V650 Hull sections for chocks design
MFG APPR.			
Q.A.			
<small>PROPRIETARY AND CONFIDENTIAL THE INFORMATION CONTAINED IN THIS DRAWING IS THE SOLE PROPERTY OF CALIBR PROFIT LLC</small>			SIZE
			DWG. NO.
			REV
			SCALE: 1:10
			WEIGHT:
			SHEET 1 OF 1