

Inflatable boat GALA Viking V650F

Technical drawing

Builder's plate

GALA
INFLATABLE BOATS

Model **V650F** + 14

1800 kg 3960 lbs

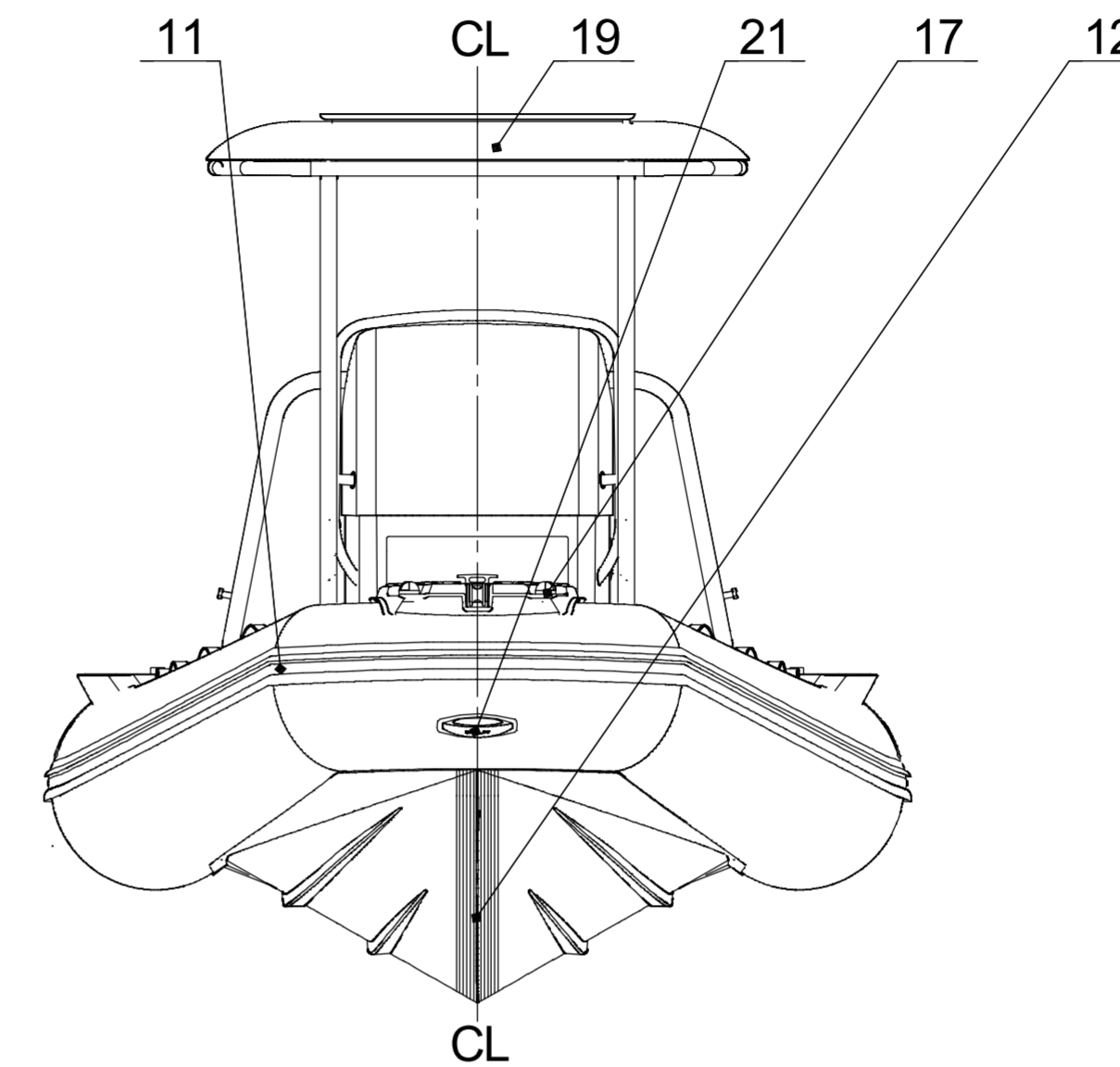
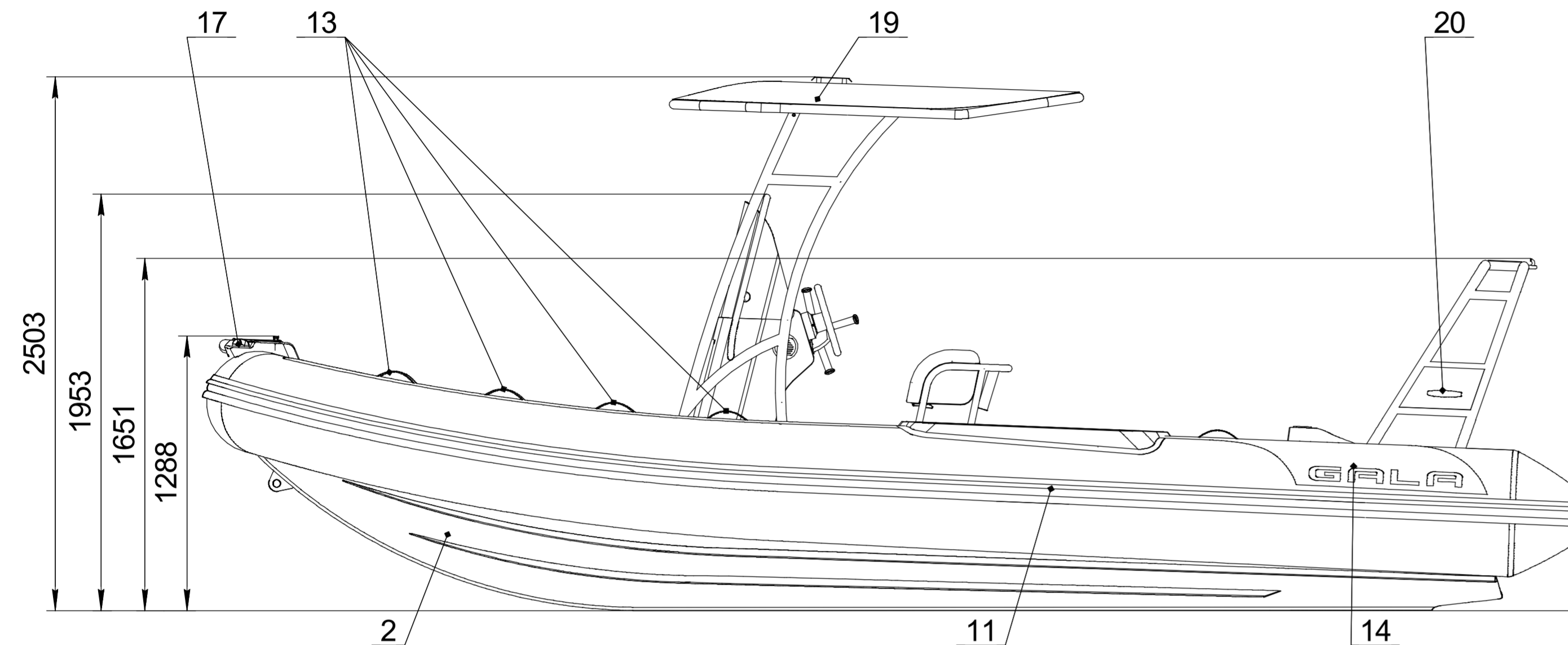
128.7 kW 175 HP Type VII

300 kg 660 lbs Cat. C

0.2 bar 2.89 psi

MADE IN UKRAINE
CALIBR PROFIL GROUP

INTERNATIONAL STANDARD ISO/FDIS-6185
"CALIBR PROFIL" LLC
4, Matlahkova Str., Dnipro, UKRAINE



Boat specification

Item	Item No	Description	Q-ty	Note
1		Inflatable tube for V650F	1	
2		Aluminum hull for V650F	1	
3		Antiskid decking, Seadeck	1	
4		Over-pressure valve	1	
5		Inflation-deflation valve	5	
6		Motor plate external	1	
7		Expanding drain plug	2	
8		Tube end, PVC	2	
9		Steering console C-07	1	
10		Rod holder	1	
11		Rubbing strake	1	
12		Keel protector	1	
13		Safety grab handle	8	
14		GALA logo	2	
15		CIN plate	1	
16		Side step panel №1	2	
17		Bow step plate №4	1	
18		Drivers seat S-06	1	
19		T-Top №2	1	
20		Waterski towing arch №4	1	
21		GALA handle, PVC	1	
22		Navigation lights	2	
23				
24				
25				
26				
27				
28				

NAME	DATE	ITEM No:
DRAWN		
CHECKED		
ENG APPR.		
MFG APPR.		
Q.A.		
		TITLE:
		GALA Viking V650F
SIZE	DWG. NO.	REV
SCALE: 1:10	WEIGHT:	SHEET 1 OF 1

PROPRIETARY AND CONFIDENTIAL
THE INFORMATION CONTAINED IN
THIS DRAWING IS THE SOLE
PROPERTY OF CALIBR PROFIL LLC

