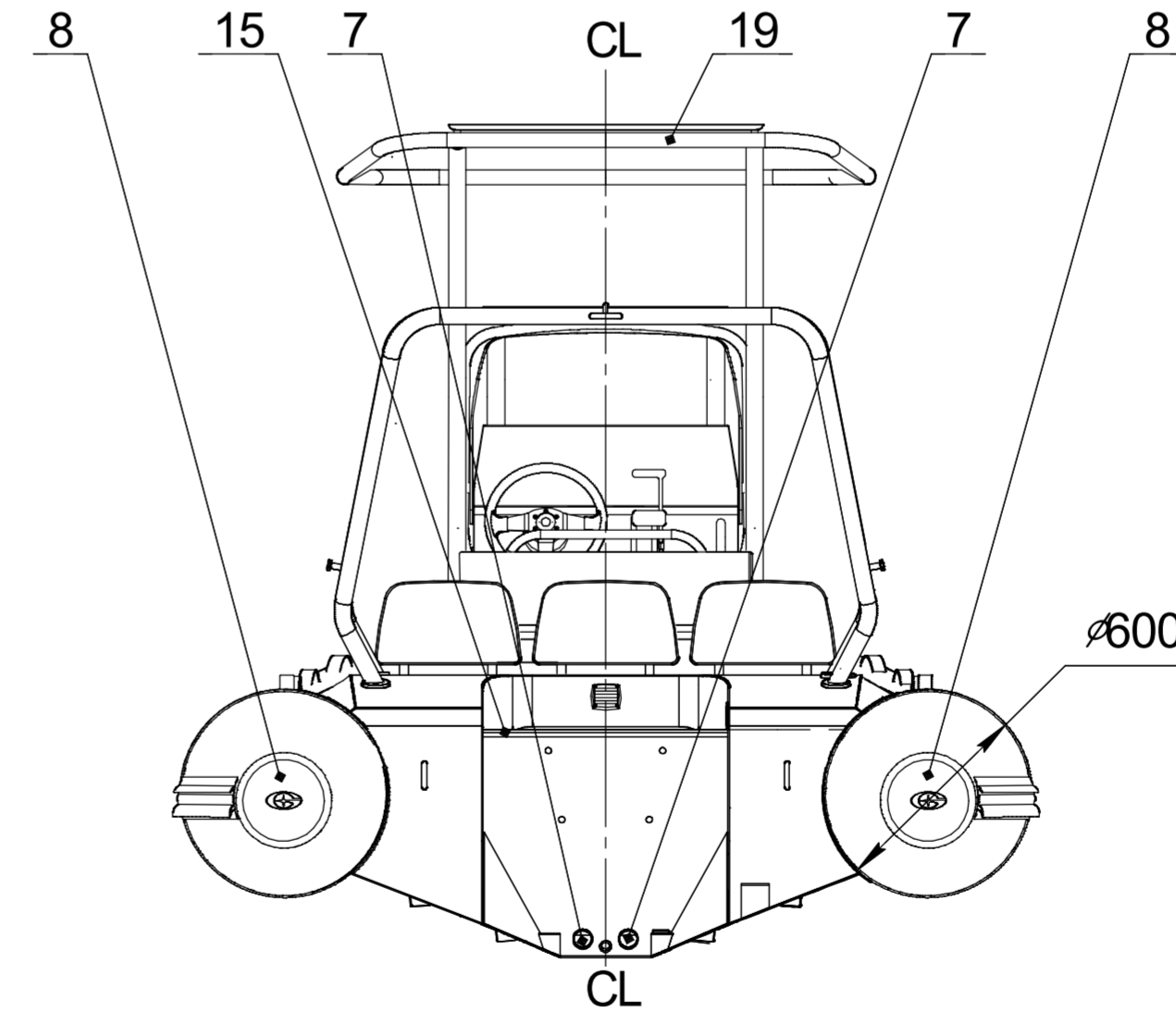
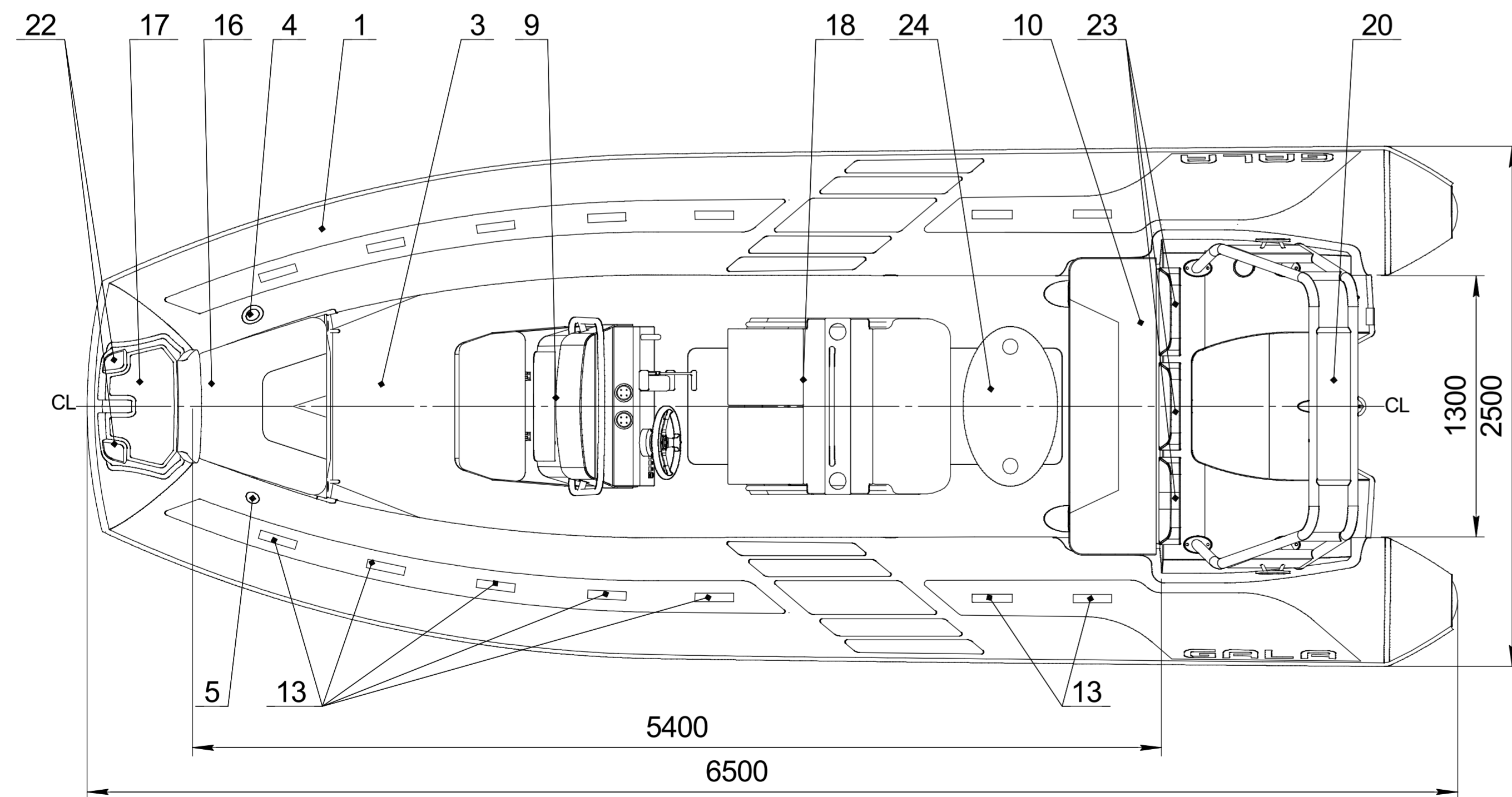
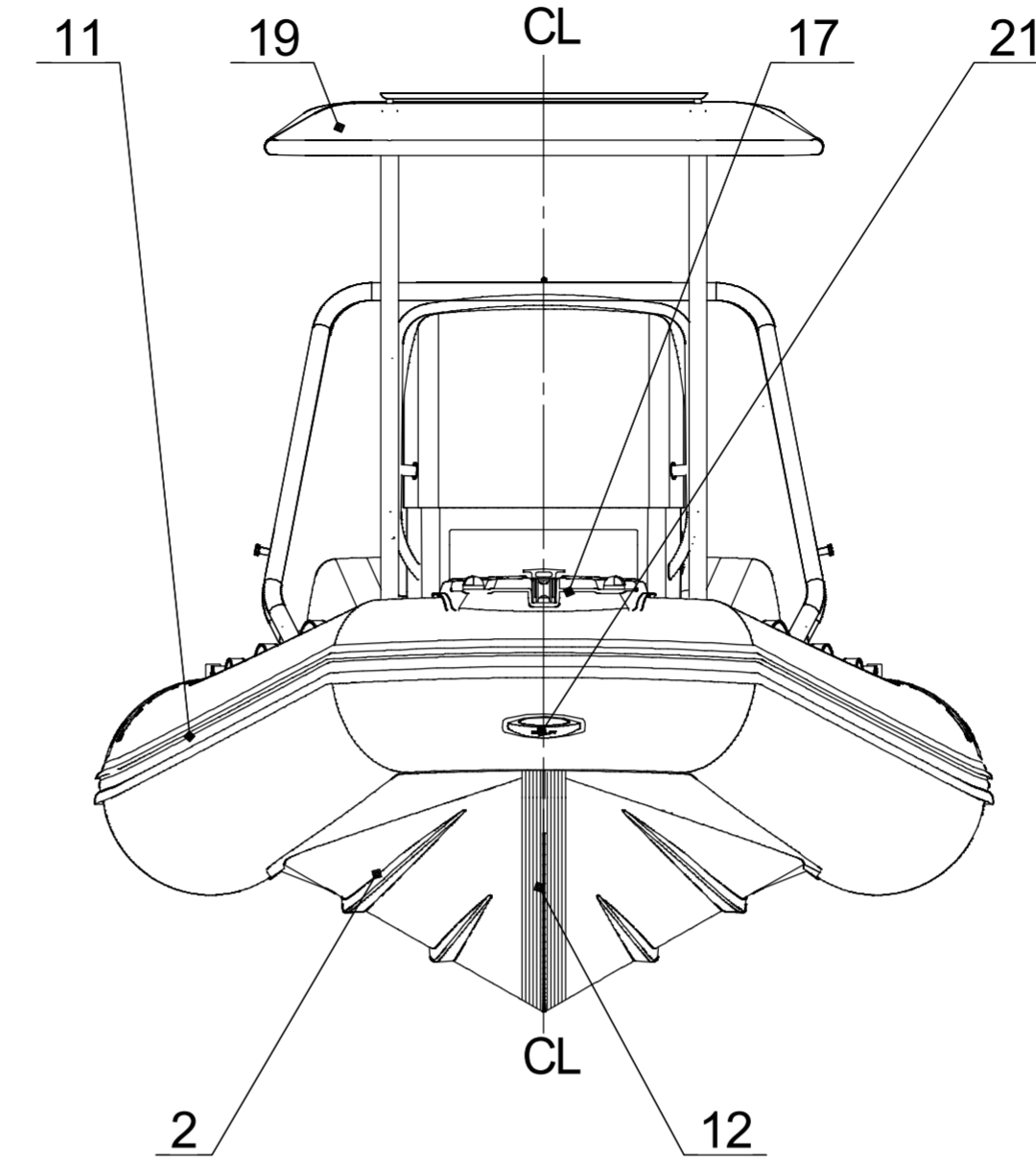
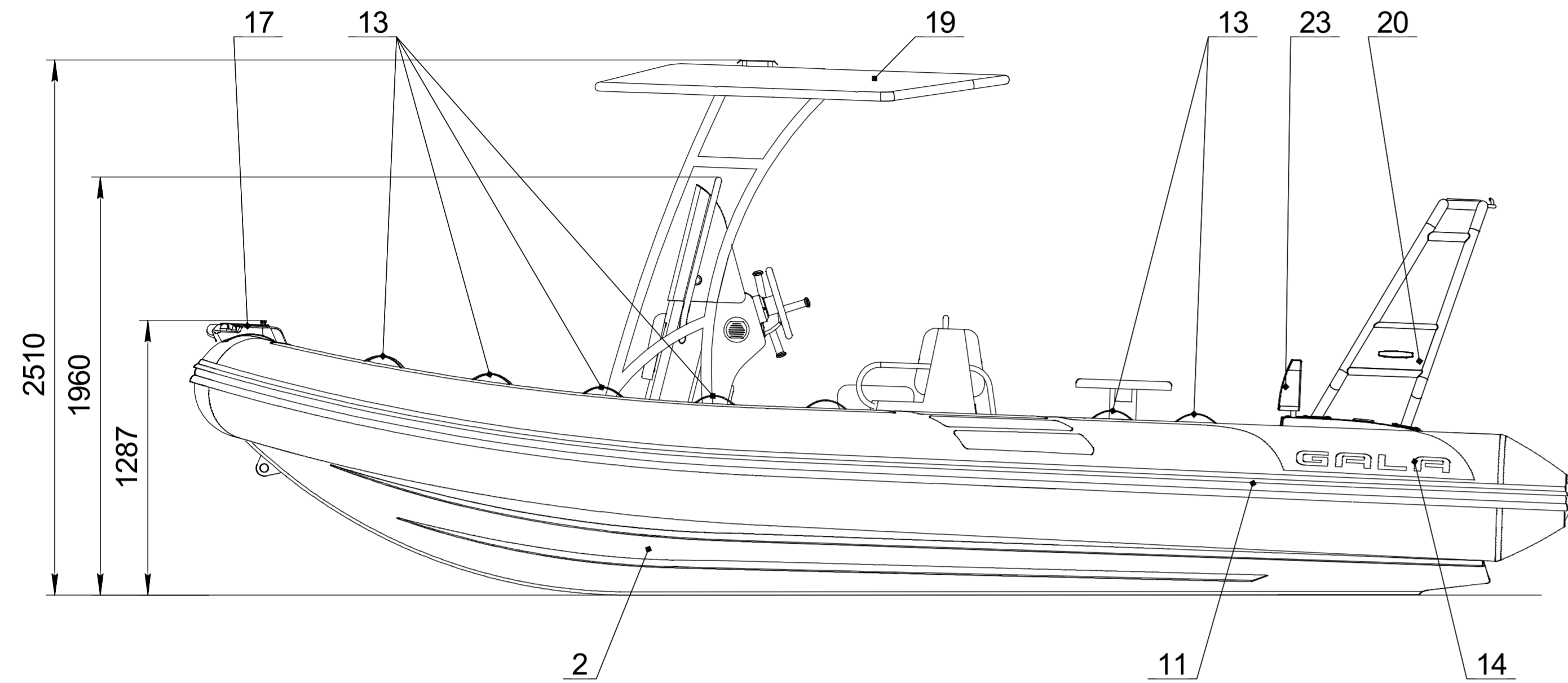


Inflatable boat GALA Viking V650

Technical drawing



Builder's plate

GALA
INFLATABLE BOATS

Model: **V650** Capacity: **14** + **1**

Weight: **1800** kg **3960** lbs

Power: **128.7** kW **175** HP Type: **VII**

Weight: **300** kg **660** lbs Cat.: **C**

Pressure: **0.2** bar **2.89** psi International Standard ISO/FDIS-6188 **CE**

MADE IN UKRAINE
GALAX
 "CALIBR PROF" LLC
 4, Matlakhova Str., Dnipro, UKRAINE

Boat specification

Item	Item No	Description	Q-ty	Note
1		Inflatable tube for V650	1	
2		Aluminum hull for V650	1	
3		Antiskid decking, Seadeck	1	
4		Over-pressure valve	1	
5		Inflation-deflation valve	5	
6		Motor plate external	1	
7		Expanding drain plug	2	
8		Tube end, PVC	2	
9		Steering console C-06	1	
10		Rear locker soft cushion	1	
11		Rubbing strake	1	
12		Keel protector	1	
13		Safety grab handle	14	
14		GALA logo	2	
15		CIN plate	1	
16		Bow locker cushion	1	
17		Bow step plate №4	1	
18		Drivers seat S-07	1	
19		T-Top №2	1	
20		Waterski towing arch №7	1	
21		GALA handle, PVC	1	
22		Navigation lights	2	
23		Seat back	3	
24		Removable rear table	1	
25				
26				
27				
28				

DRAWN	NAME	DATE	ITEM No:
CHECKED			TITLE:
ENG APPR.			GALA Viking V650
MFG APPR.			
Q.A.			
<small>PROPRIETARY AND CONFIDENTIAL THE INFORMATION CONTAINED IN THIS DRAWING IS THE SOLE PROPERTY OF CALIBR PROF LLC</small>			SIZE: _____ DWG. NO: _____ REV: _____ SCALE: 1:10 WEIGHT: _____ SHEET 1 OF 1