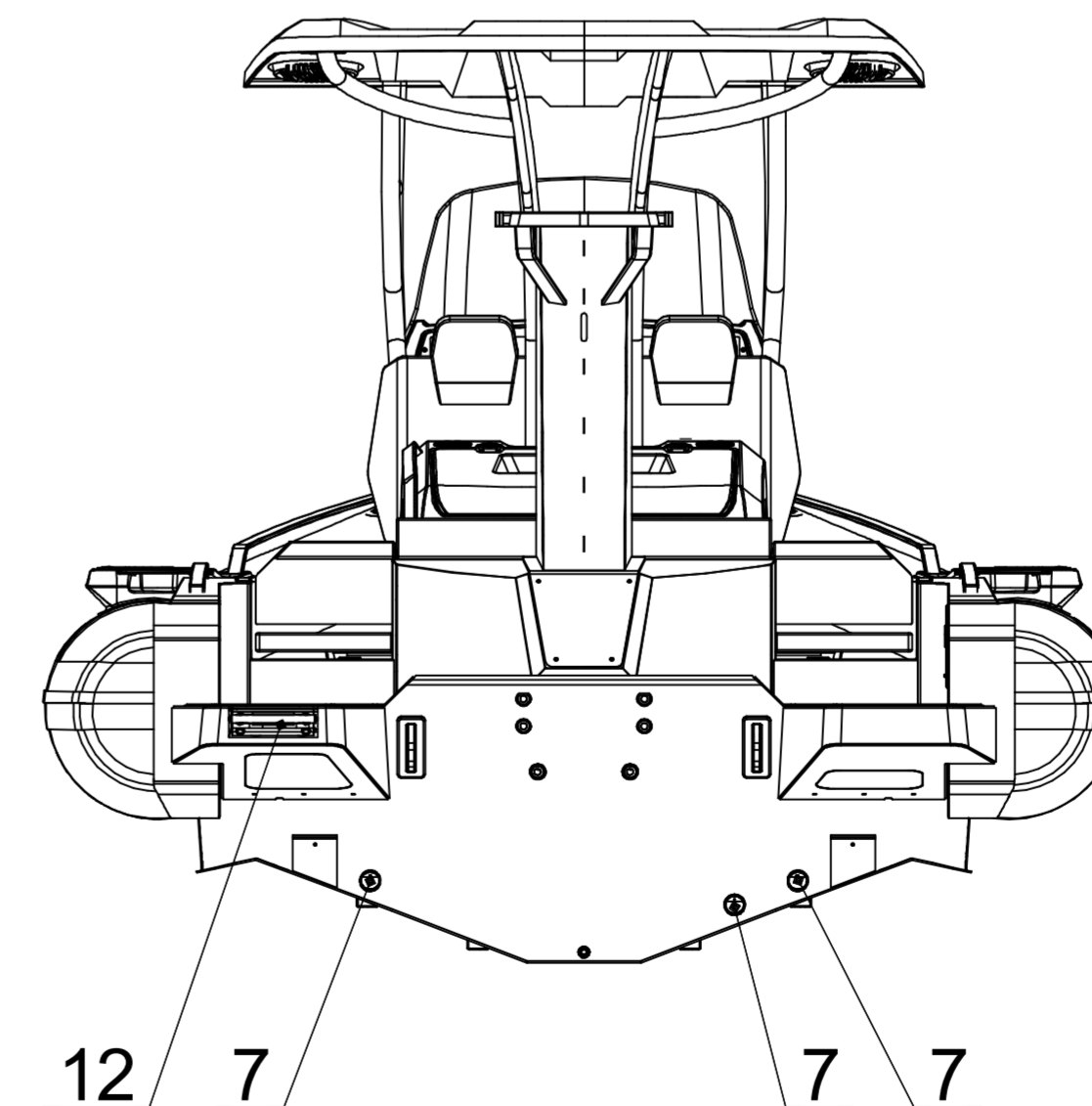
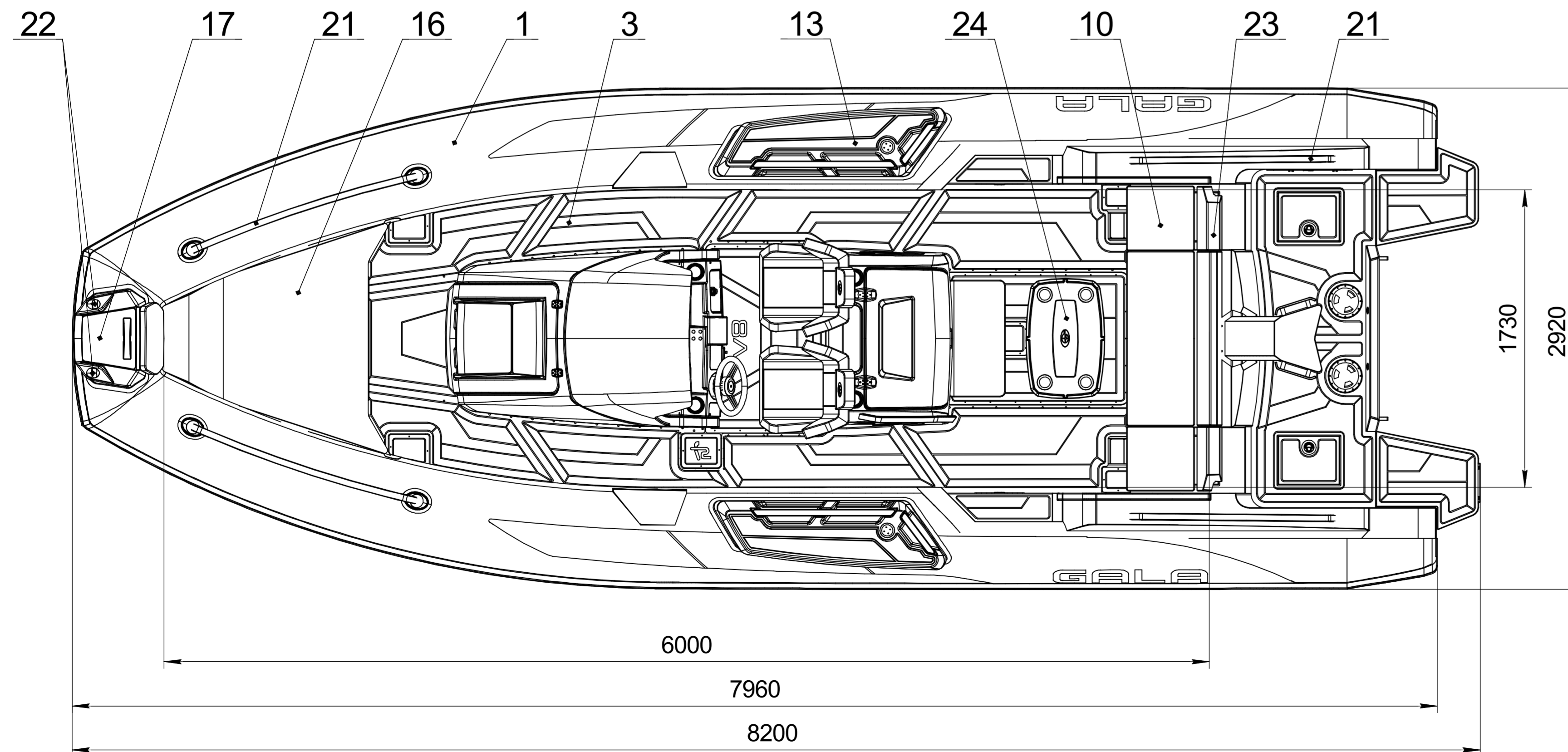
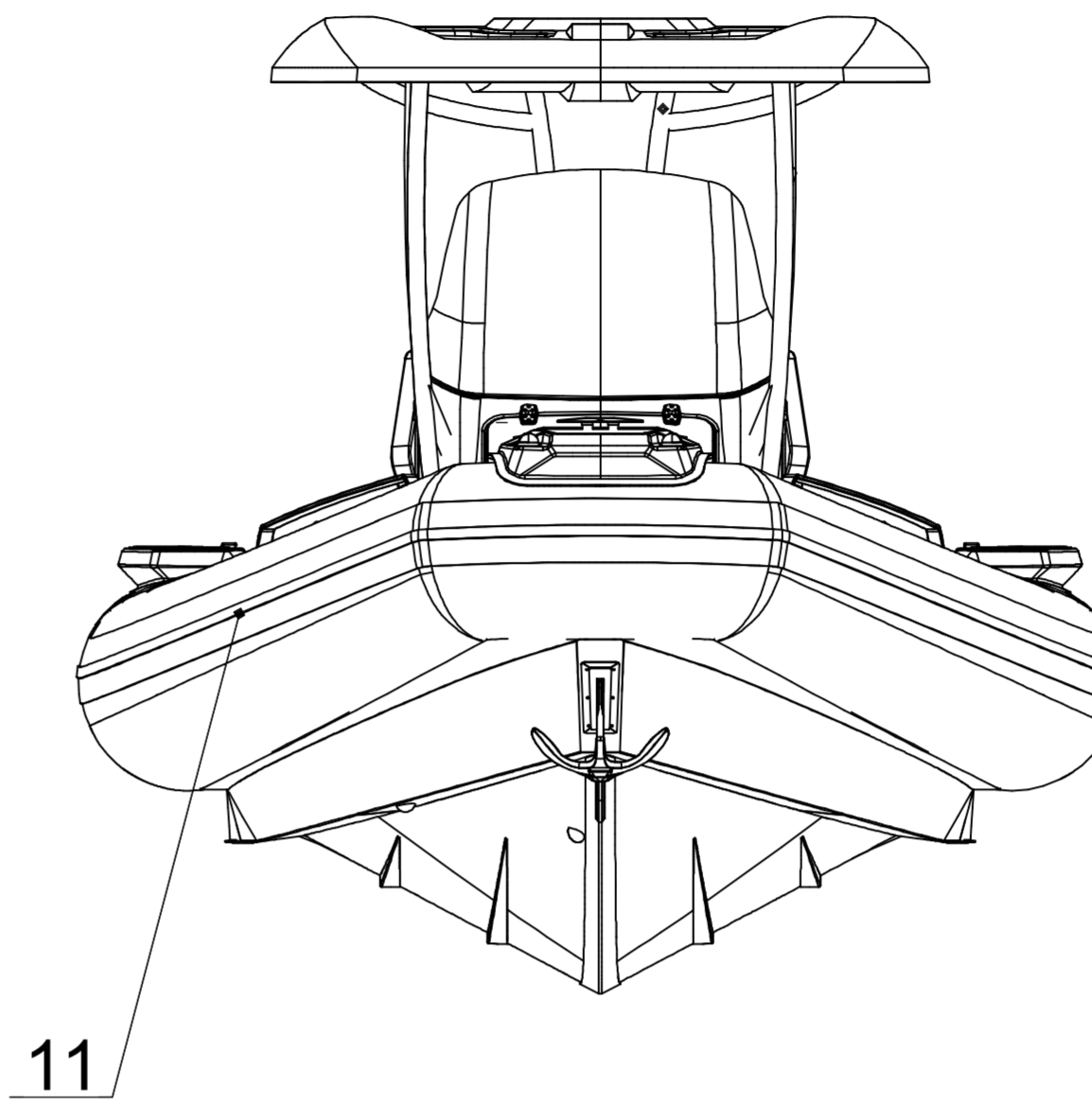
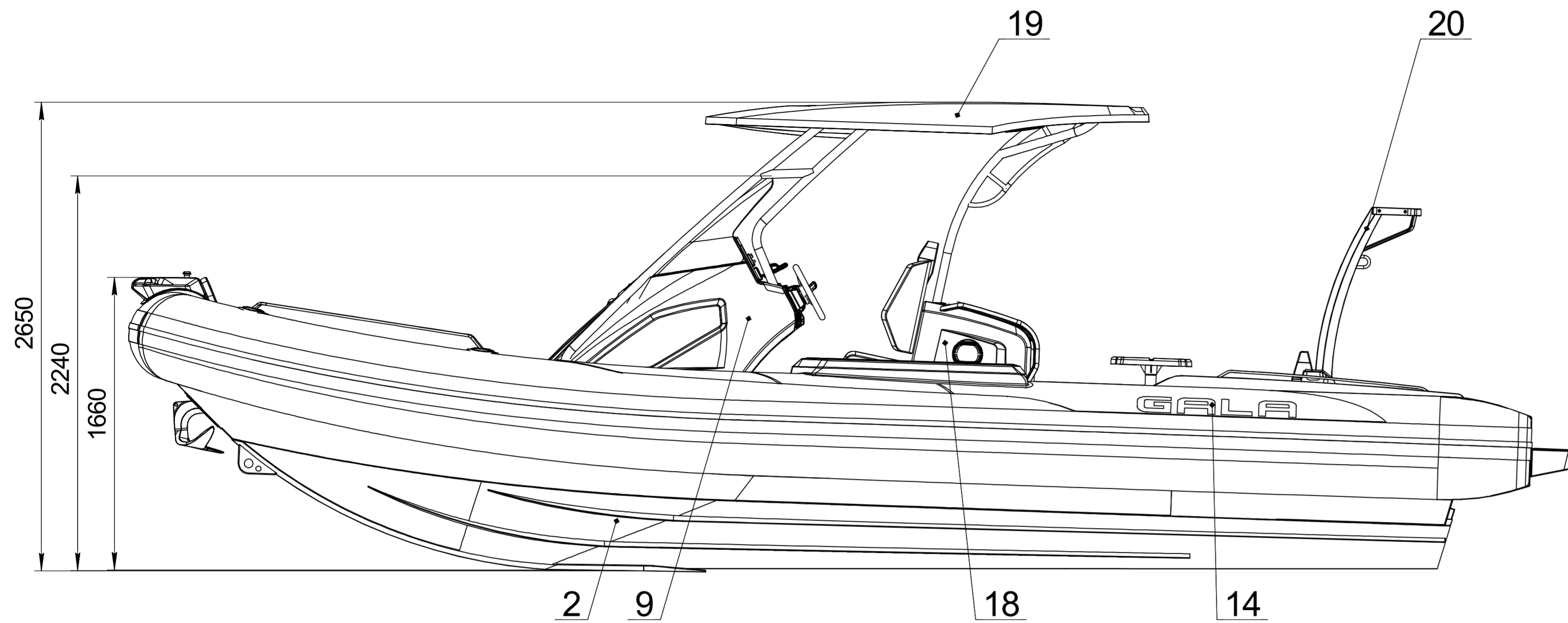


Inflatable boat GALA Viking V8 Technical drawing



Builder's plate

GALA
INFLATABLE BOATS

Model +

+ + + kg lbs

kW HP Type

kg lbs Cat.

bar psi International Standard ISO/FDIS-6185

Boat specification

Item	Item No	Description	Q-ty	Note
1		Inflatable tube for V8	1	
2		Aluminum hull for V8	1	
3		Antiskid decking, Seadeck	1	
4		Over-pressure valve	1	
5		Inflation-deflation valve	5	
6		Motor plate external	1	
7		Expanding drain plug	3	
8				
9		Steering console C-23	1	
10		Rear locker soft cushion	1	
11		Rubbing strake	1	
12		Crinoline with telescopic ladder №3	1	
13		Side step panel №8	2	
14		GALA logo	2	
15		CIN plate	1	
16		Bow locker cushion	1	
17		Bow step plate №6	1	
18		Drivers seat S-24	1	
19		HARD-Top №3	1	
20		Navigation mast №4	1	
21		Side railings №8	1	
22		Navigation lights	2	
23		Seat back	1	
24		Removable rear table TB-1	1	
25				
26				
27				
28				

NAME	DATE	ITEM No:
DRAWN		
CHECKED		TITLE:
ENG APPR.		GALA Viking V8
MFG APPR.		
D.A.		
SIZE	DWG. NO.	REV
SCALE: 1:10	WEIGHT:	SHEET 1 OF 1